

## Scope of Supply/Bill of Material & Mounting Drawings

Part Number: H-X-ADV-17-01-SL / H-X-ADV-17-02

Part Description: Crash Bar – Honda X-ADV

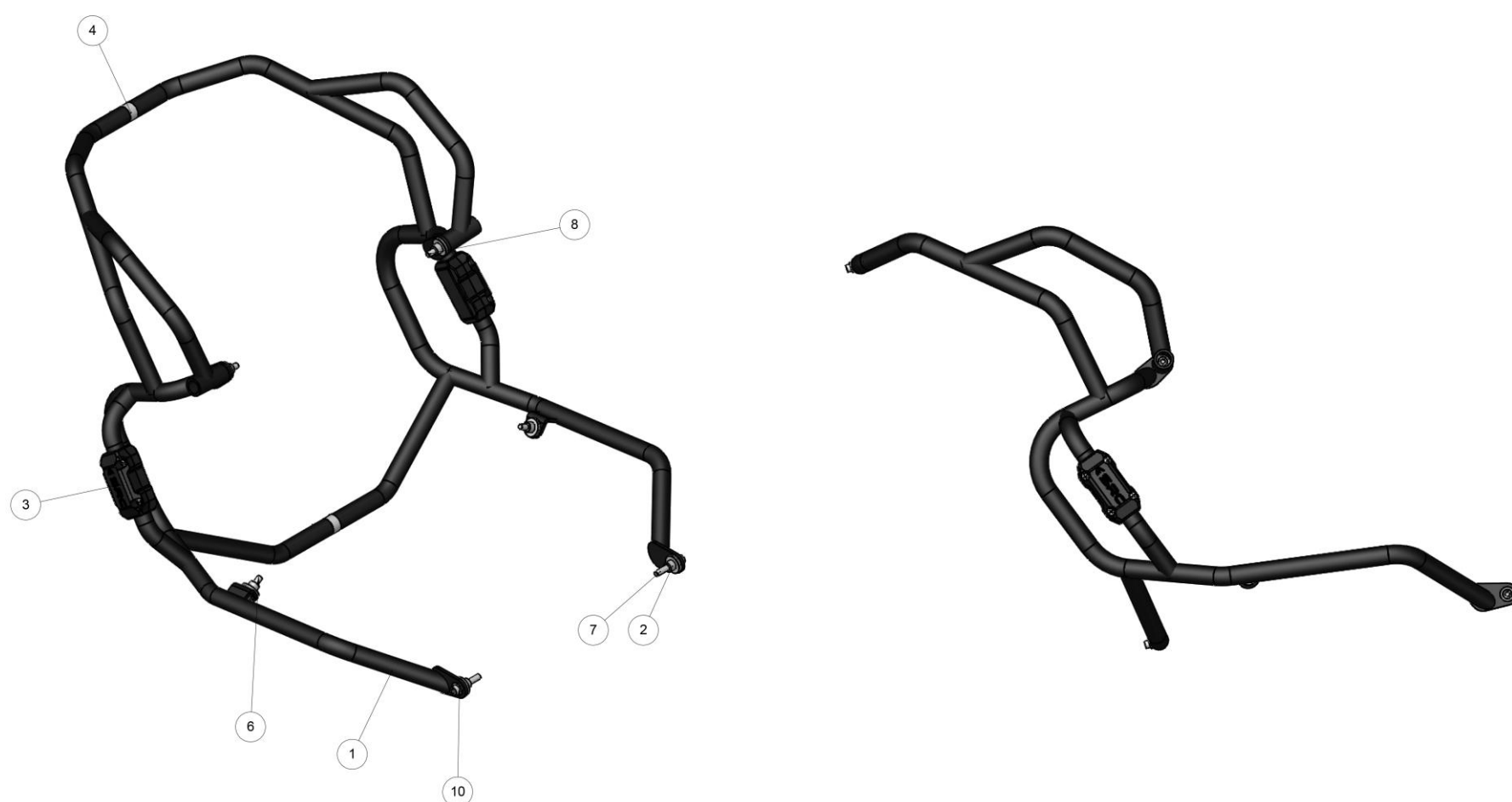
### Installation / Parts List / Bill of Material for Mounting

No.	Description	Quantity	Torque * (N-m)	Remarks **
1	Crash Bar	1		
2	Flange Bush	6		
3	Slider Guard	2		
4	Joint Pipe	2		
5	Cap Screw M6 x 15	4	9-10	Use Liquid Thread Locker
6	Screw M8 x 35	2	22-24	Use Liquid Thread Locker
7	Screw M8 x 45	2	22-24	Use Liquid Thread Locker
8	Cap Screw M8 x 55	2	22-24	Use Liquid Thread Locker
9	Washer M6	4		
10	Washer M8	6		

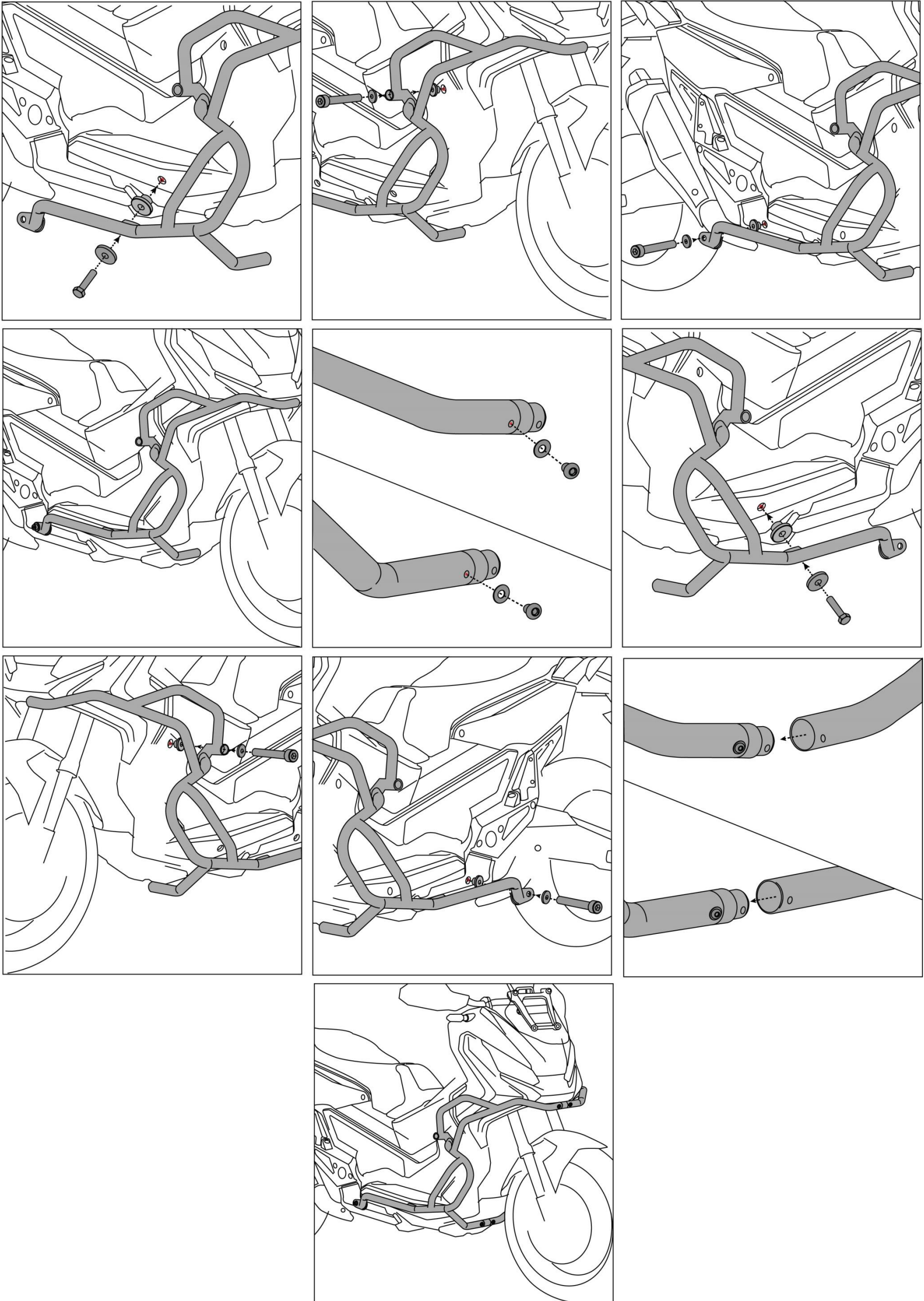
SRC Design uses Metric System of Measurement and all dimensions are in Millimeters

\* Recommended to use the Torque specified in the table

\*\* Denotes Usage of Liquid Thread Locker in specified locations



**Mounting Drawings**





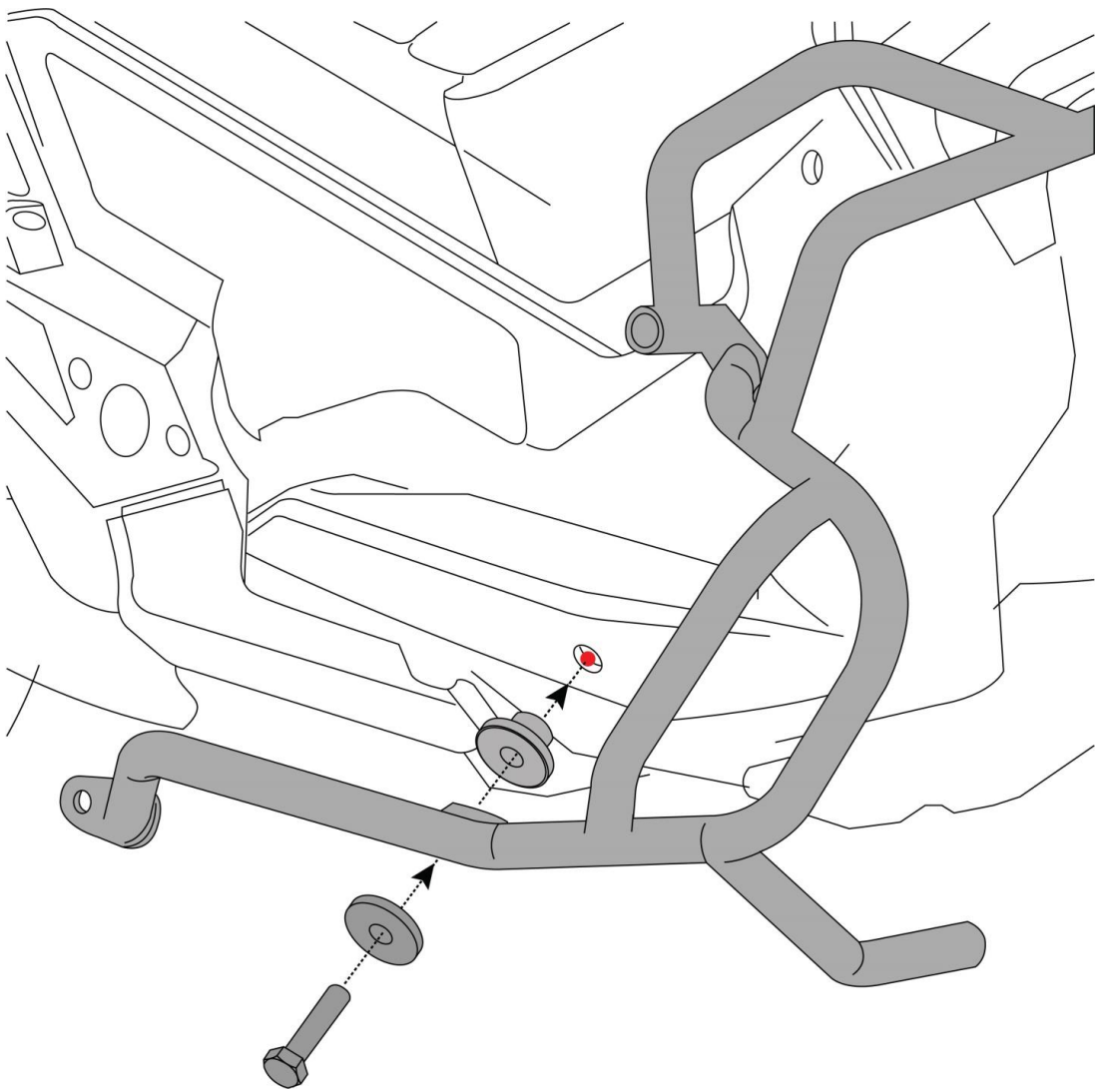
**Step 1:**

The Crash Bar is supplied in two halves.

The drawings shown here, illustrates the Assembly of the Right Hand Half of the Crash Bar.

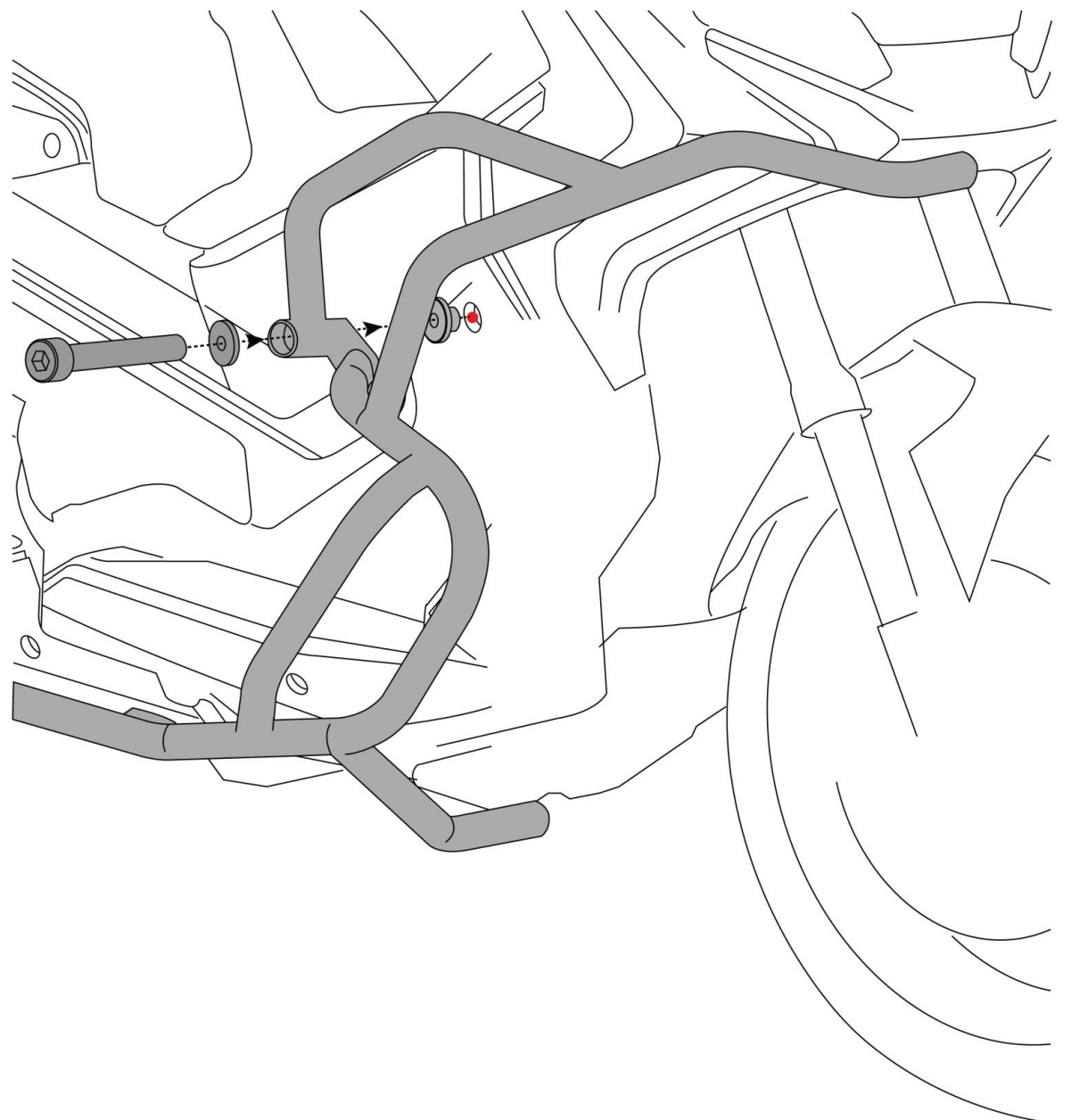
Orient the Crash Bar and align it with the bottom side mounting hole in the Motorbike (as shown in Red colour).

Slip-in the Flange Bush (2) – 1 off, Screw M8 x 45 (6) – 1 off and Washer M8 (10) -1 off, as shown and secure the threads, but not tighten it fully.



**Step 2:**

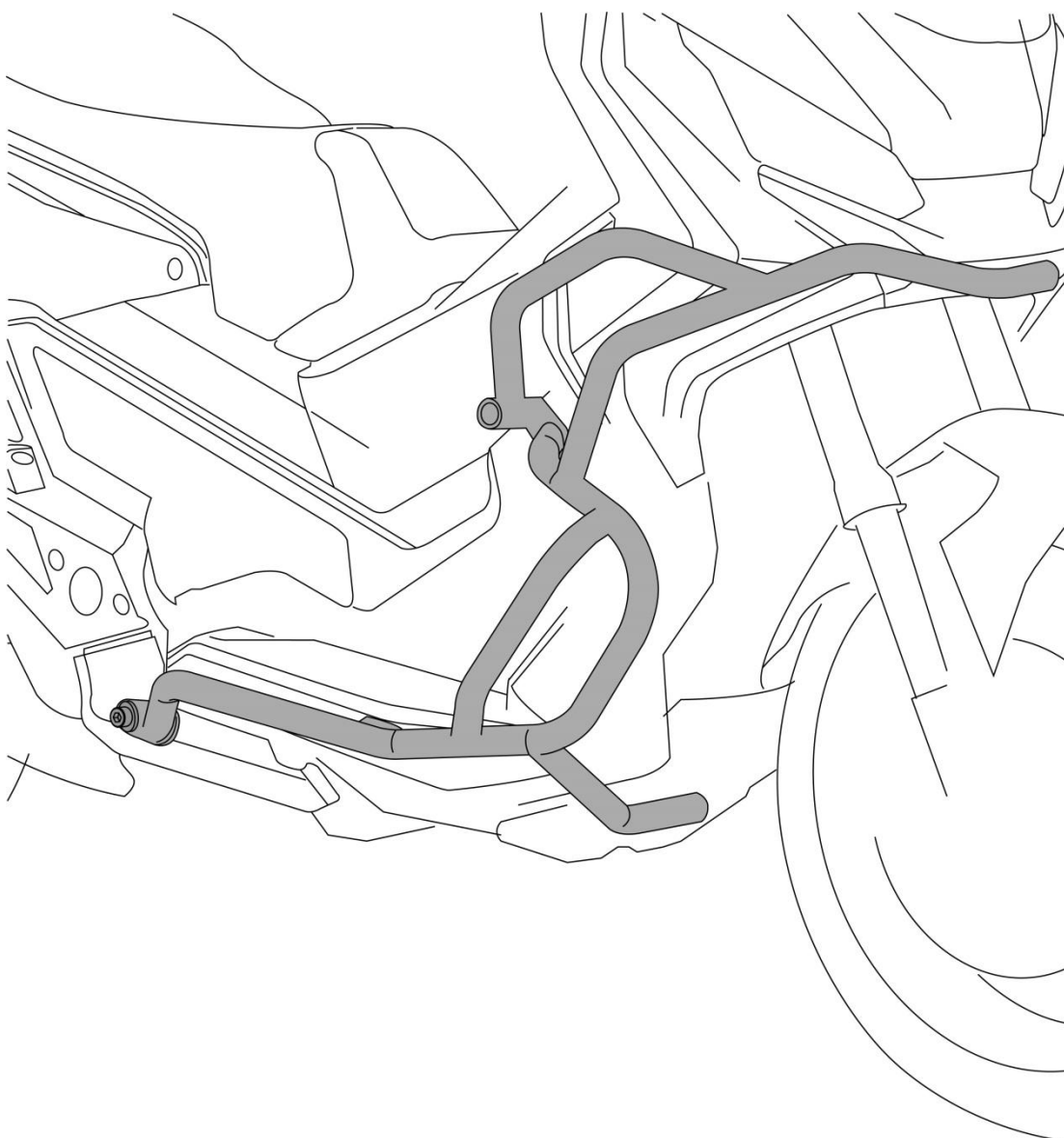
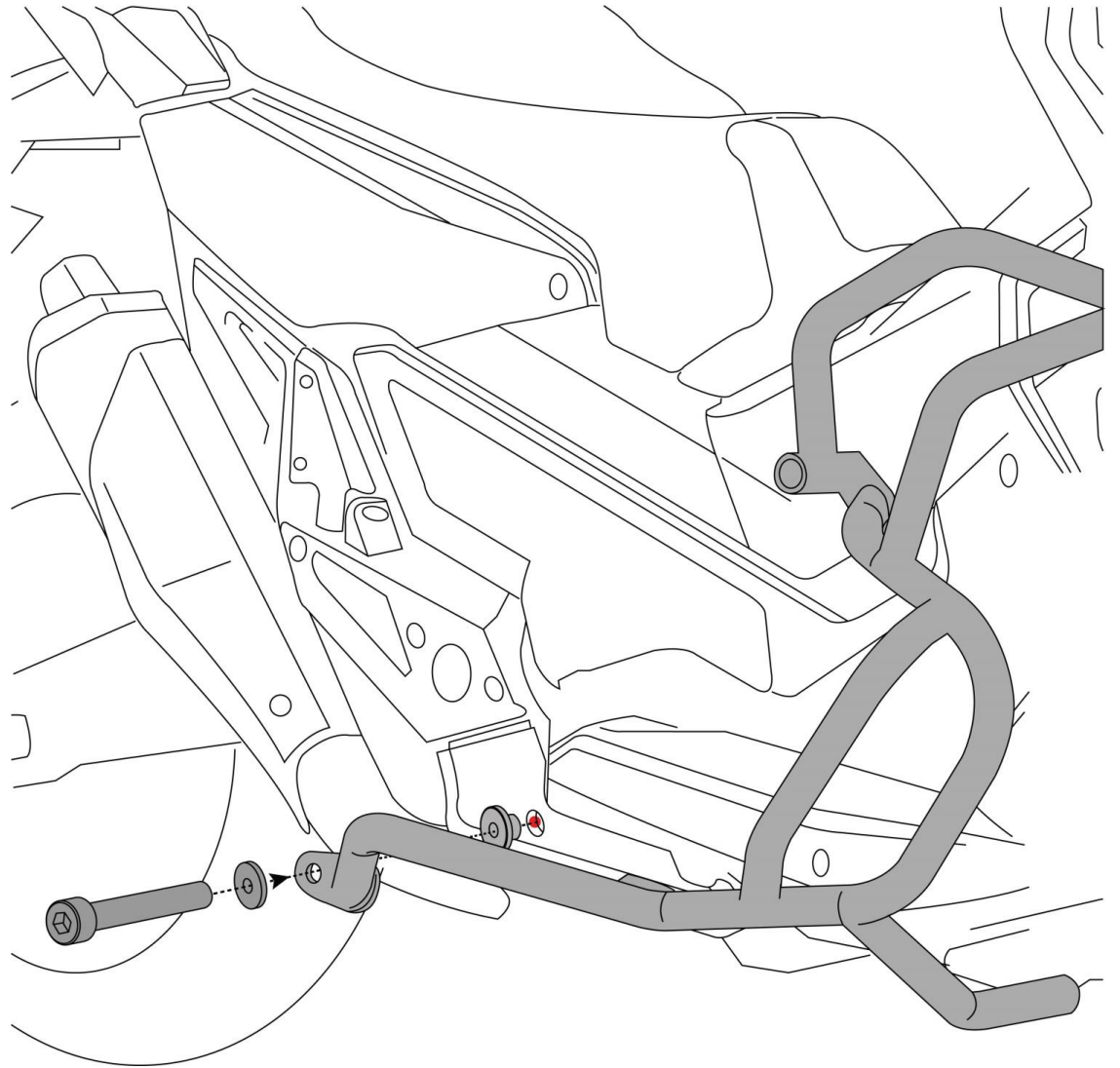
Slip-in Screw M8 x 55 (8) – 1 off and Flange Bush (2) – 1 off and Washer M8 (10) -1 off, as shown, and secure the threads in the Mounting hole (as shown in Red colour), but not tighten it fully.



**Step 3:**

**This covers the Mounting to the Third spot as shown.**

**Slip-in Flange Bush (2) – 1 off, Screw M8 x 45 (7) – 1 off and Washer M8 (10) – 1 off, as shown, and secure the threads in the Mounting hole (as shown in Red Colour), but not tighten it fully.**



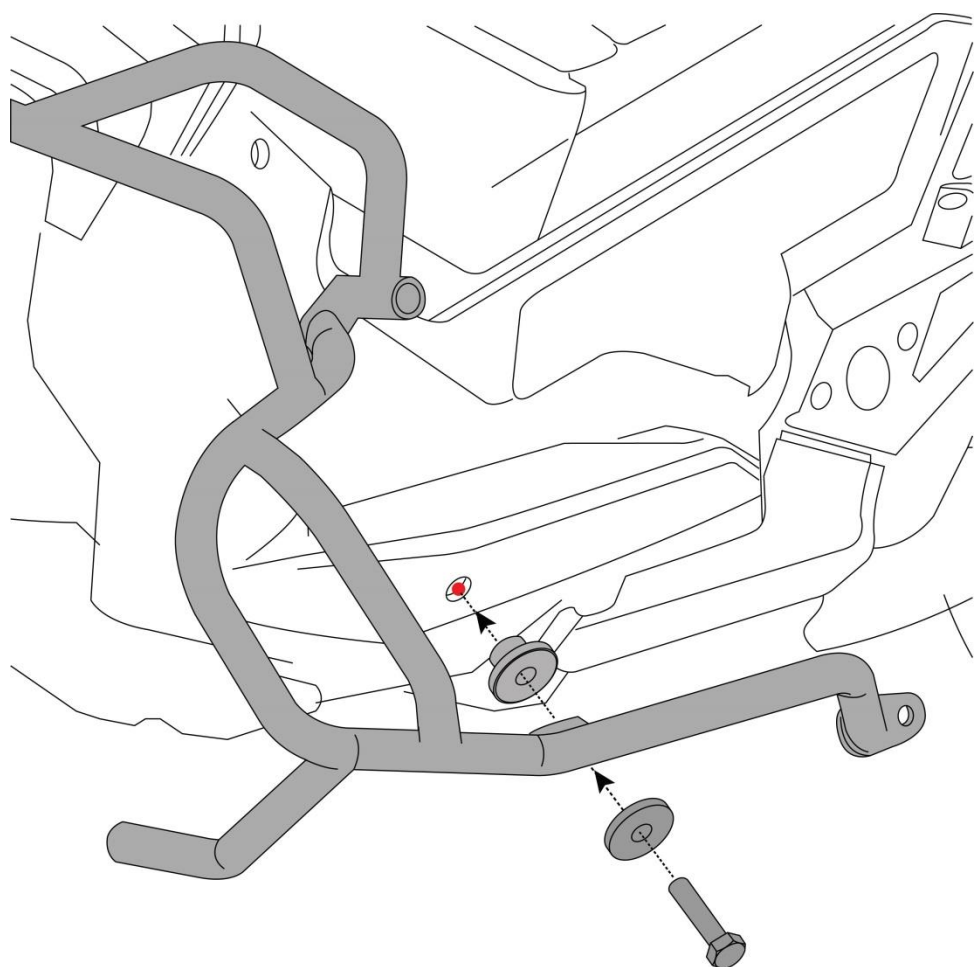
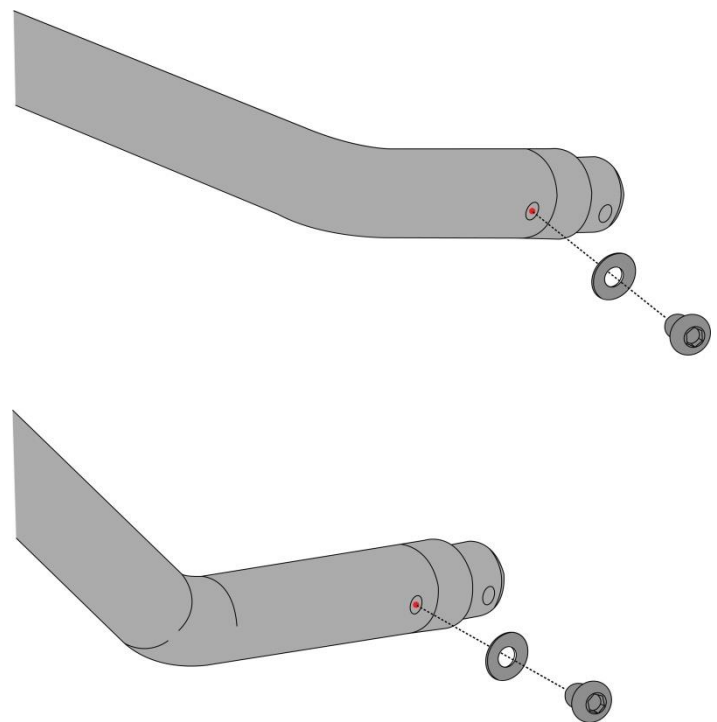
**As Is Mounted Condition of Crash Bar (Right Hand Half) is shown in the drawing.**



**Step 4:**

**Mounting of Joint Pipe (4) on Top and Bottom side of the Crash Bar.**

**Slip-in the Joint Pipe (4) – 2 off, 1 each on Top side and Bottom side and slide-in M6 x 16 Cap Screw (5) and Washer M6 (9) – 2 off, as shown, and secure the threads.**



**Step 5:**

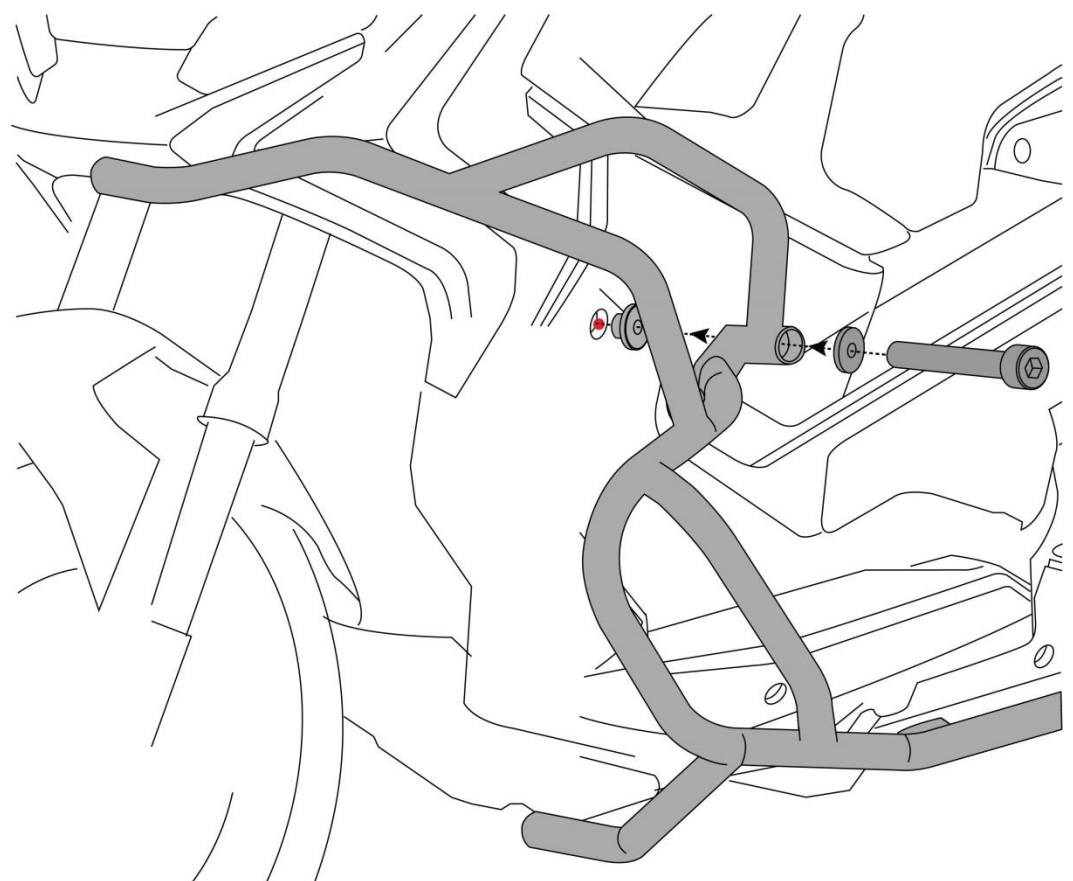
**Mounting of Crash Bar Left Hand half.**

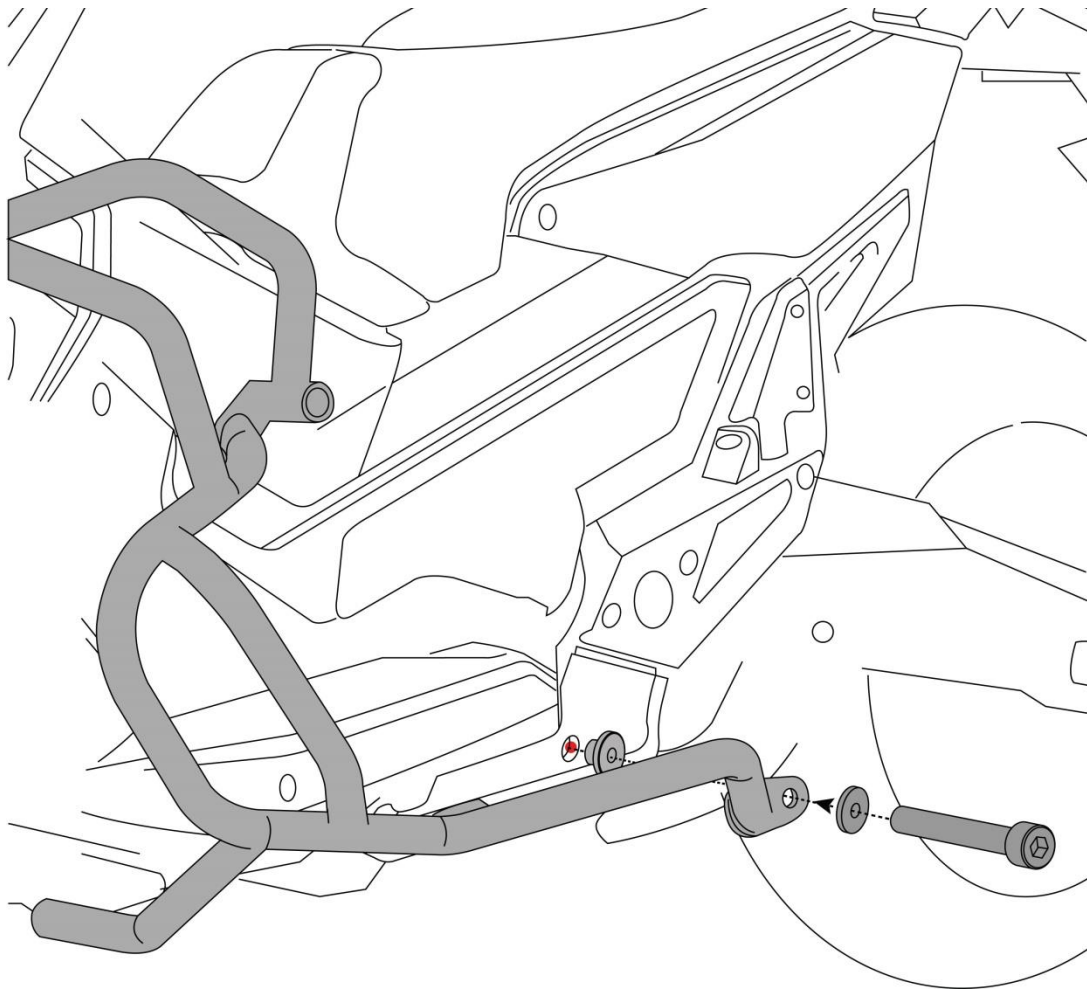
**Orient the Crash Bar and align it with the bottom side mounting hole in the Motorbike (as shown in Red colour).**

**Slip-in the Flange Bush (2) – 1 off, Screw M8 x 45 (6) – 1 off and Washer M8 (10) -1 off, as shown and secure the**

**Step 6:**

**Slip-in Screw M8 x 55 (8) – 1 off and Flange Bush (2) – 1 off and Washer M8 (10) -1 off, as shown, and secure the threads in the Mounting hole (as shown in Red colour), but not tighten it fully.**





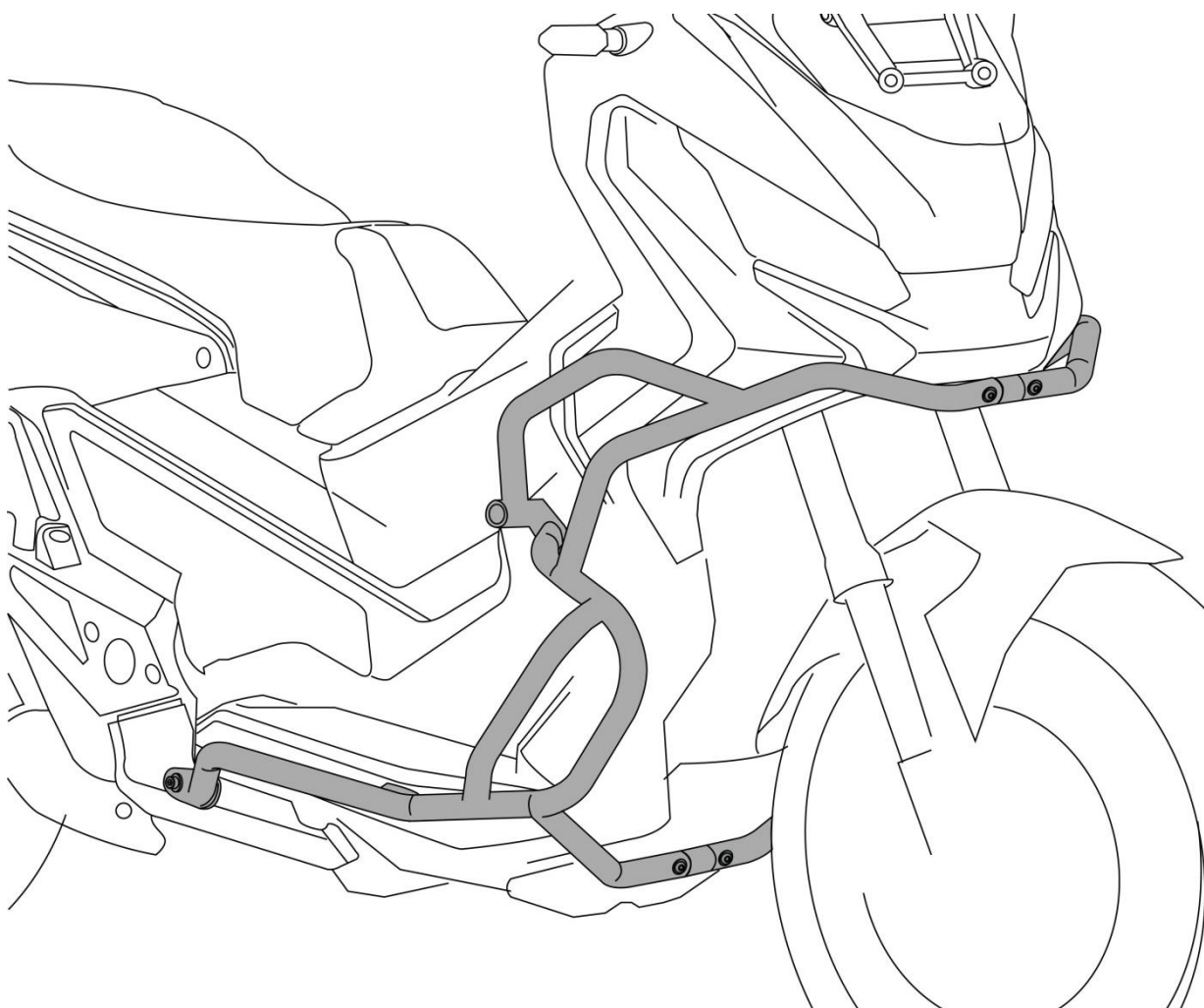
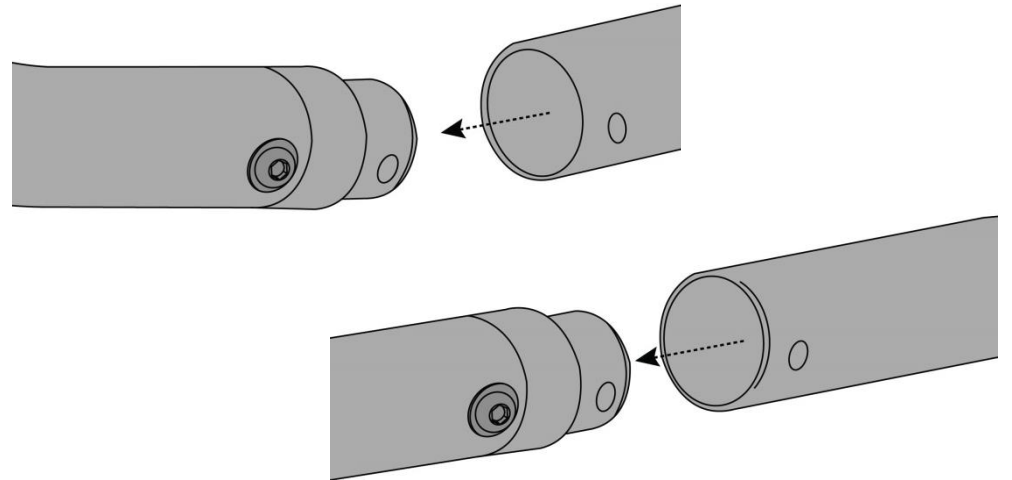
**Step 7:**

**This covers the Mounting to the Third spot as shown.**

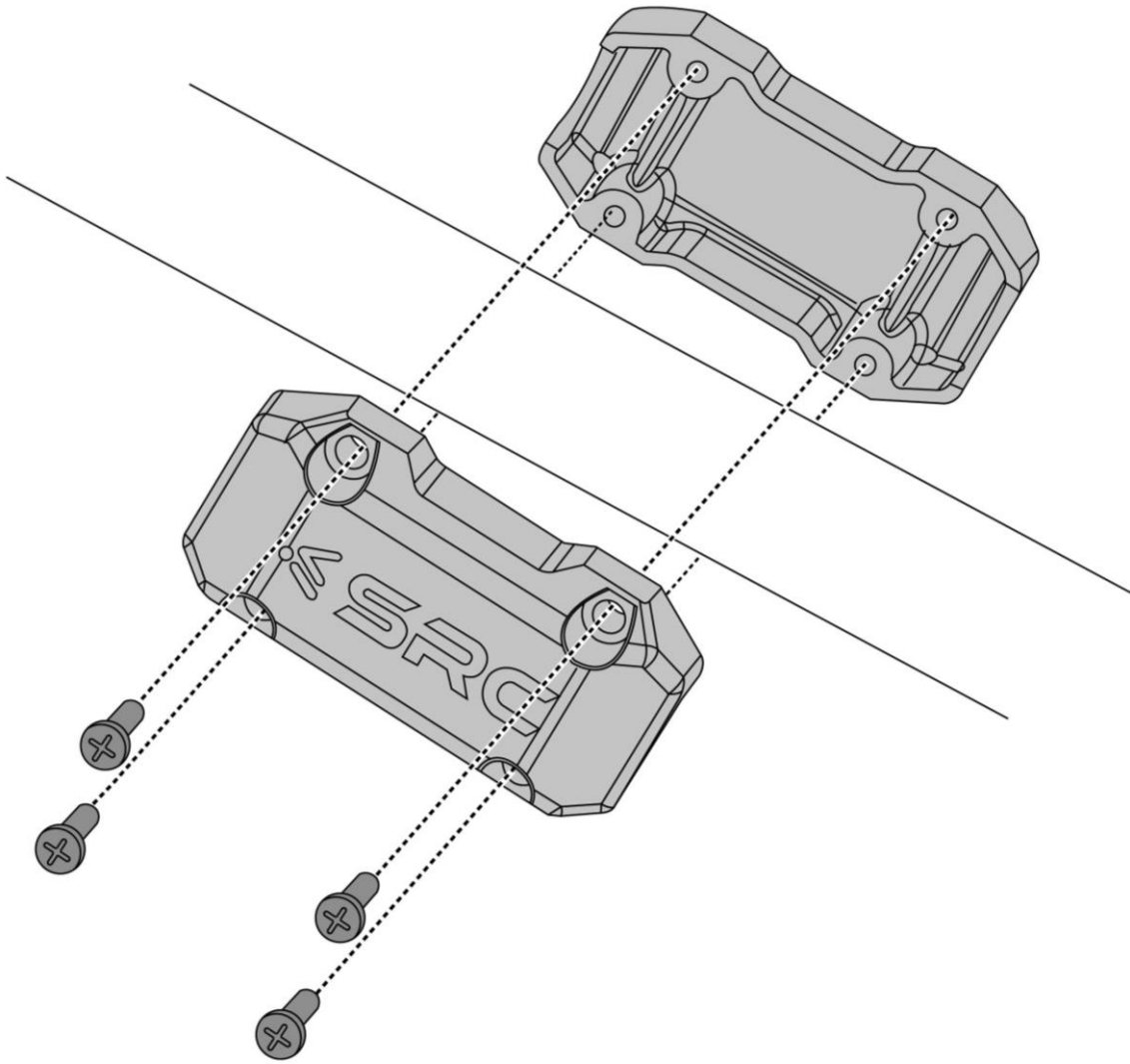
**Slip-in Flange Bush (2) – 1 off, Screw M8 x 45 (7) – 1 off and Washer M8 (10) – 1 off, as shown, and secure the threads in the Mounting hole (as shown in Red Colour), but not tighten it fully.**

**Step 8:**

**Orient the Crash Bar (Left Hand Half), to the Joint Pipe ( fitted already to the Right Hand Half) and slide-in M6 x 16 Cap Screw (5) and Washer M6 (9) – 2 off, as shown, and secure the threads.**



**As Is Mounted Condition of the Crash Bar, is as shown in the drawing**



**Step 9:**

**Assemble the Slider Bar on each of the Crash Bar as shown.**

**Use the Slider Bar as the Virtual Orientation and looking from the front side of the Motorbike, make one final Positioning and Alignment of the Crash bars.**

**Ensure mounting symmetry of the Slider Bars visually (it must not be offset or shifted visually when seen from the front side and back side).**

**Step 10:**

**All Screws can be fully tightened to the torque, as specified in the BOM table.**

**The installation is completed with this step.**



## General Information

1. We request you to pay attention to the Mounting Instructions in this document and follow the step-by-step procedures.
2. This Mounting Instruction manual is a “Do It Yourself” (DIY) fitment manual of the Accessory part to the Vehicle. We have prepared this based on our experience and knowledge, related to the Vehicle, Part and its functional aspects.
3. SRC cannot guarantee the interchangeability of the parts to any other manufacturer’s accessory part. It is advised to the User, to inspect and ensure the original state of all other Vehicle parts.
4. We request you to bear in mind, that the Installed part can change the driving behaviour and/or the stability during driving or any other dynamic conditions.
5. If you have the appropriate tools and another person to assist you in the mounting, it will help.
6. To the maximum extent possible, our design use the current Mounting/Fitment of the Original Equipment, so that Installation of these accessories will not affect the Payload or Function of the Vehicle or the Part on which it is mounted to protect it
7. If any additional modifications are to be done, prior to the fitment of the accessories, it will be explicitly specified in the instruction sheets.