

Scope of Supply/Bill of Material & Mounting Drawings

Part Number: Y-900GT-02-01-SL / Y-900GT-02-02

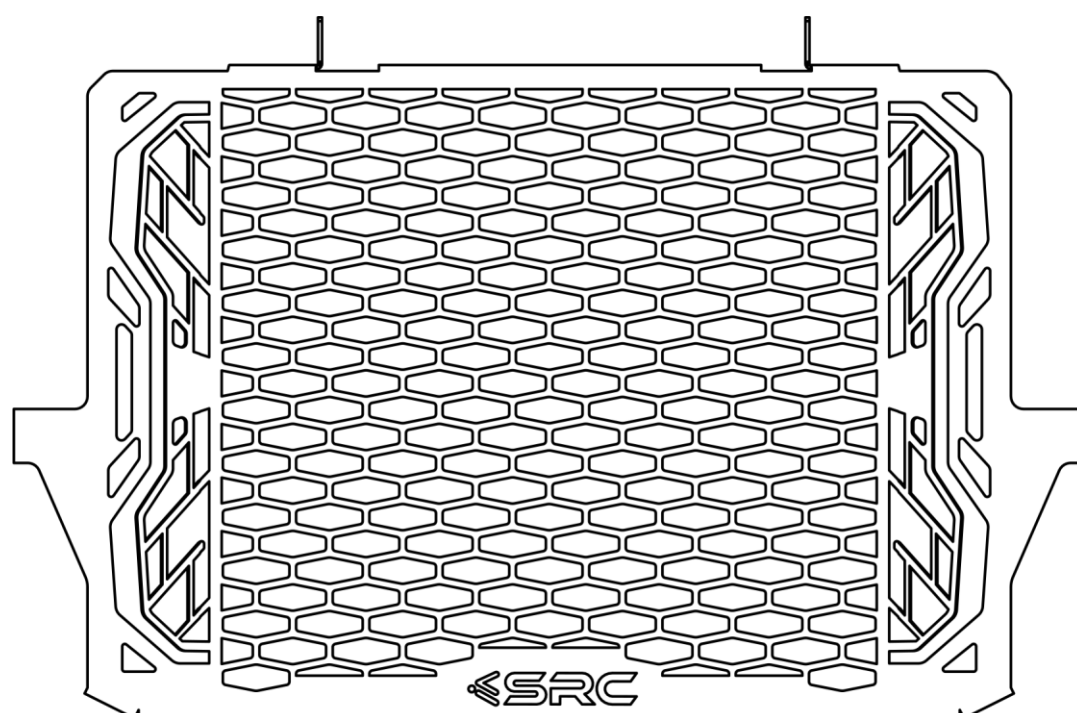
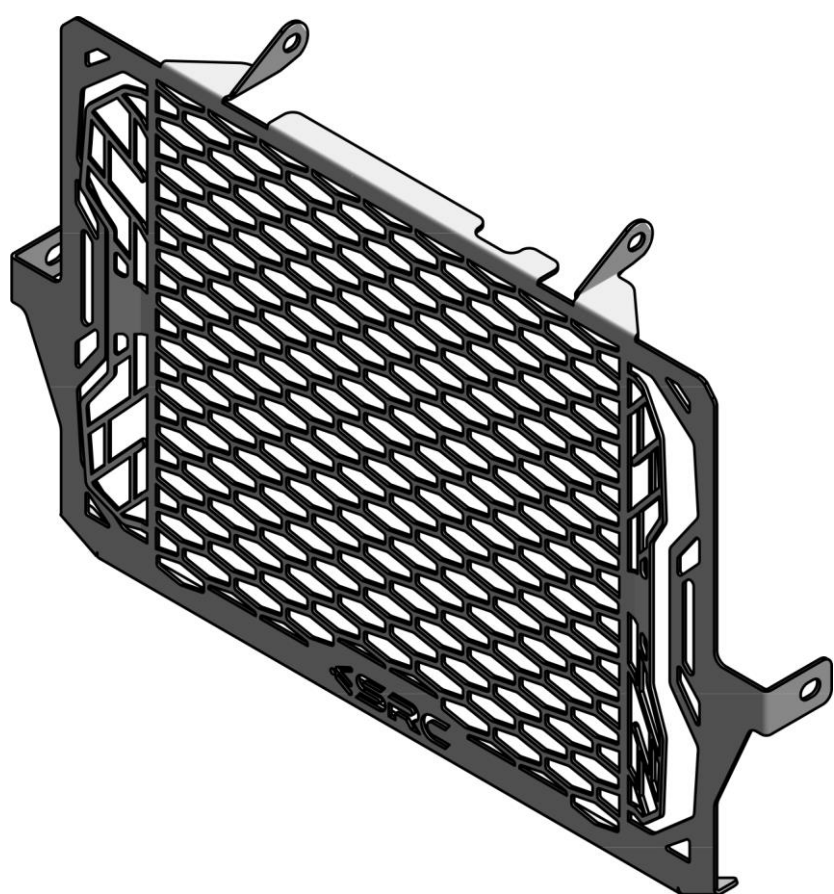
Part Description: Radiator Guard – YAMAHA Tracer 900 GT

Installation / Parts List / Bill of Material for Mounting

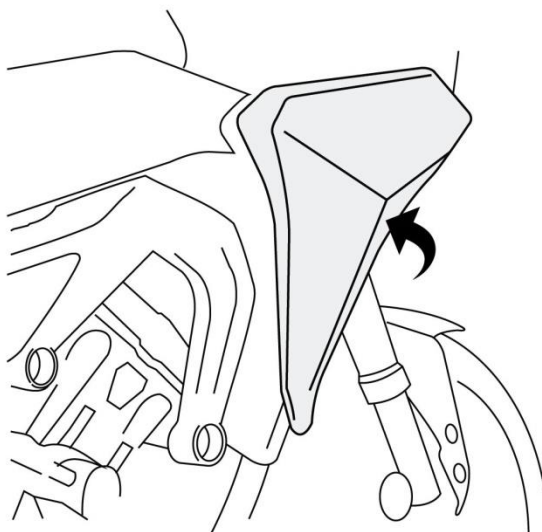
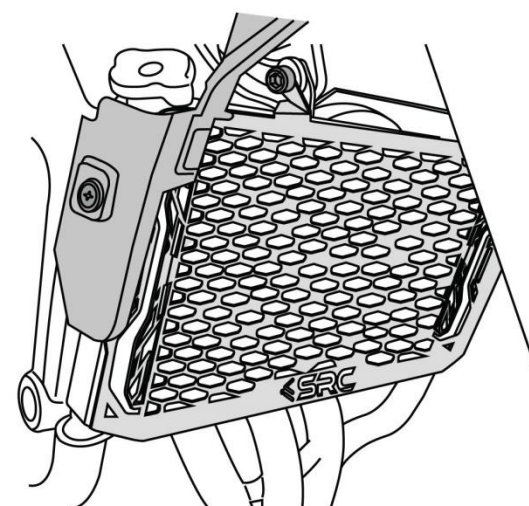
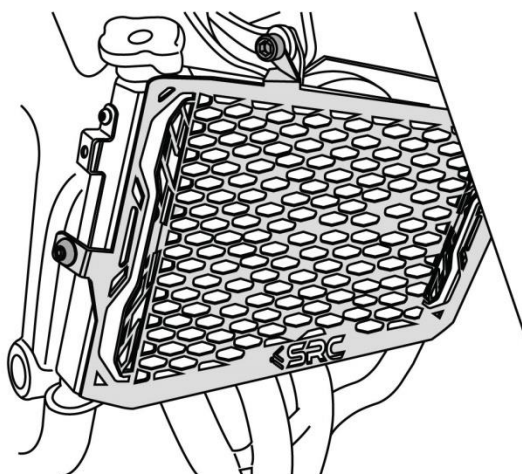
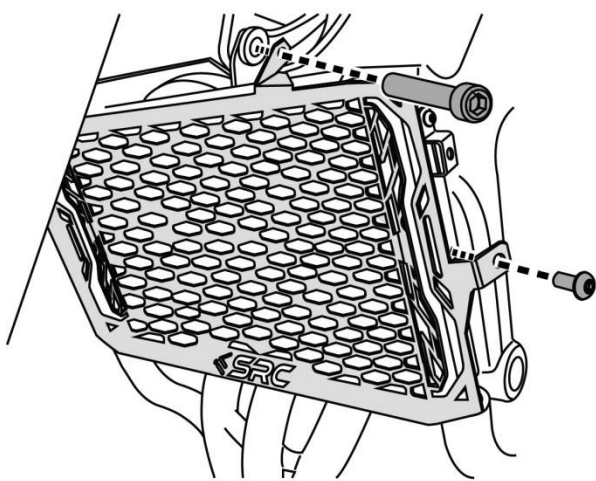
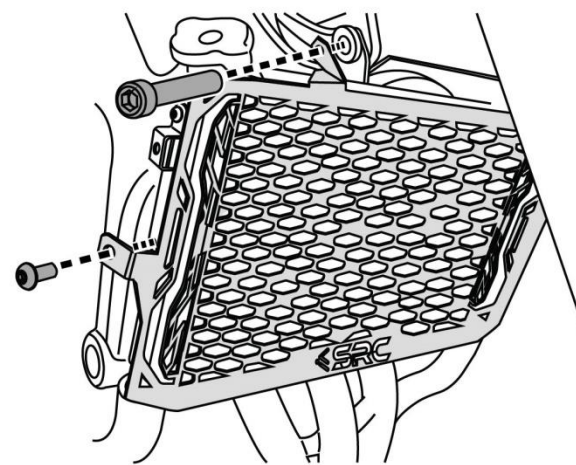
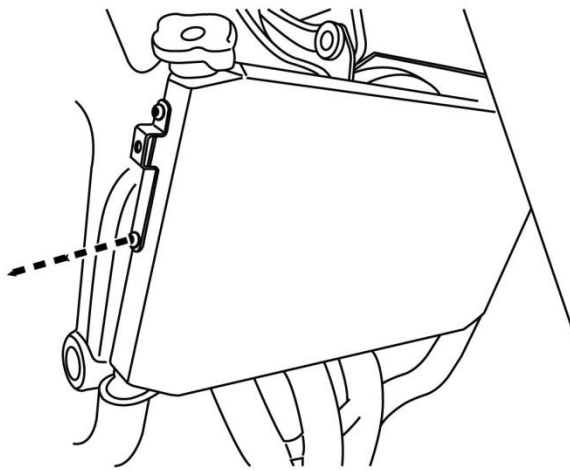
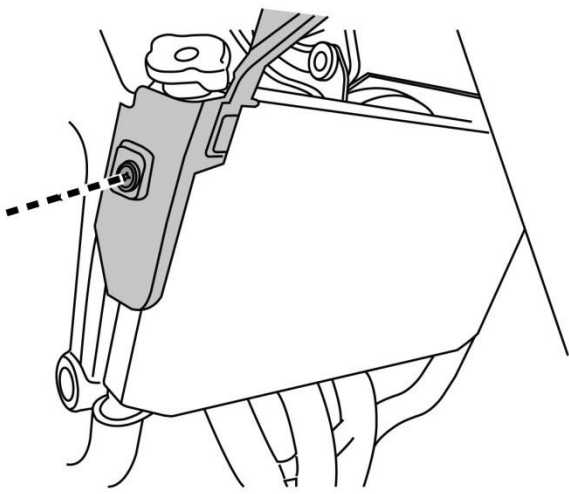
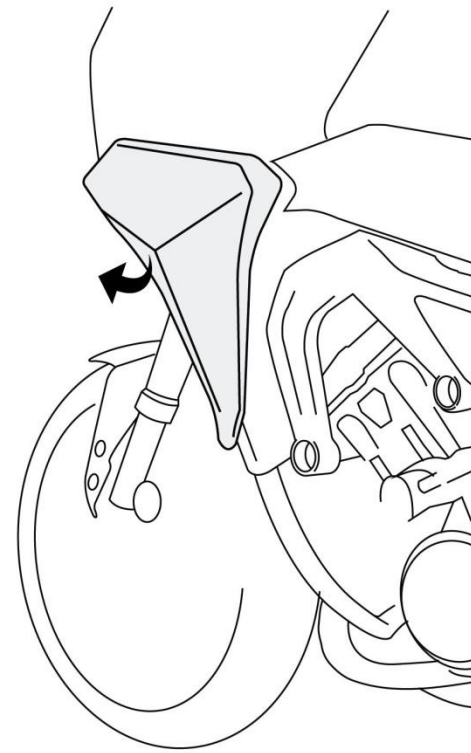
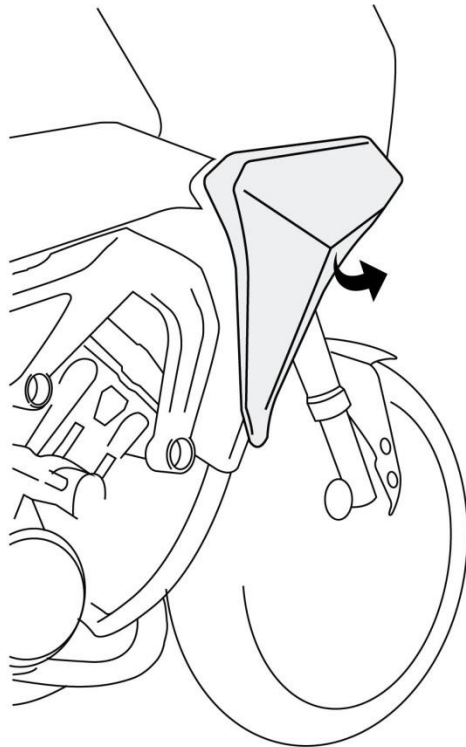
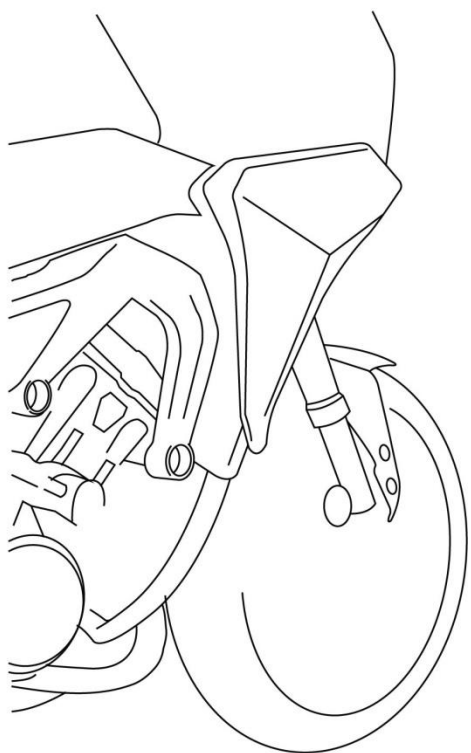
The scope of supply from SRC is only the Radiator (Sheet Metal) Guard (schematic as shown).

For mounting the Radiator Guard, we will be using the mounting screws, which are already used in the Motorbike, intended for fixing Aesthetic Metal cover to the sides and Top covers.

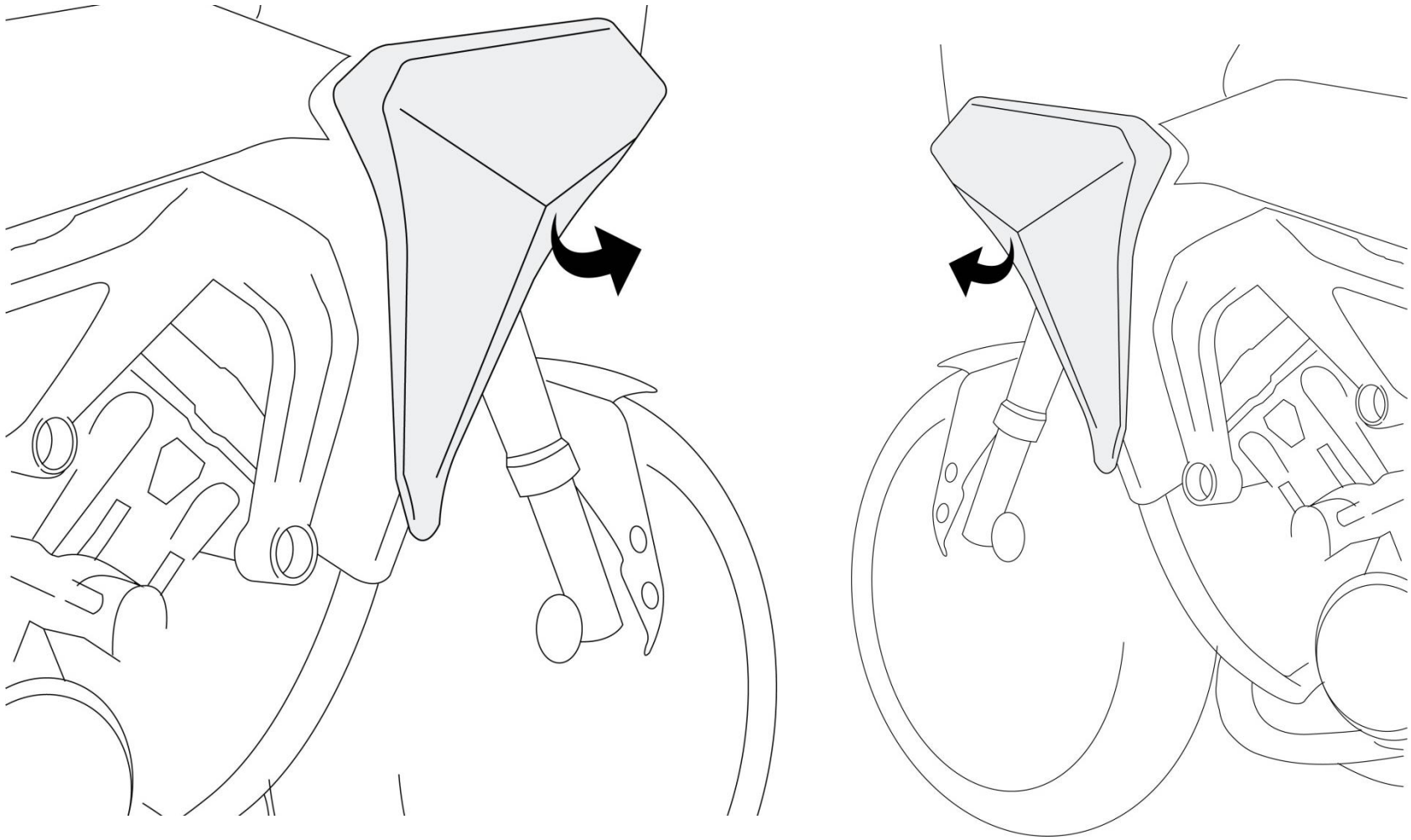
Details of the same, will be explained in the Mounting Instructions, in subsequent sheets.



MOUNTING DRAWINGS

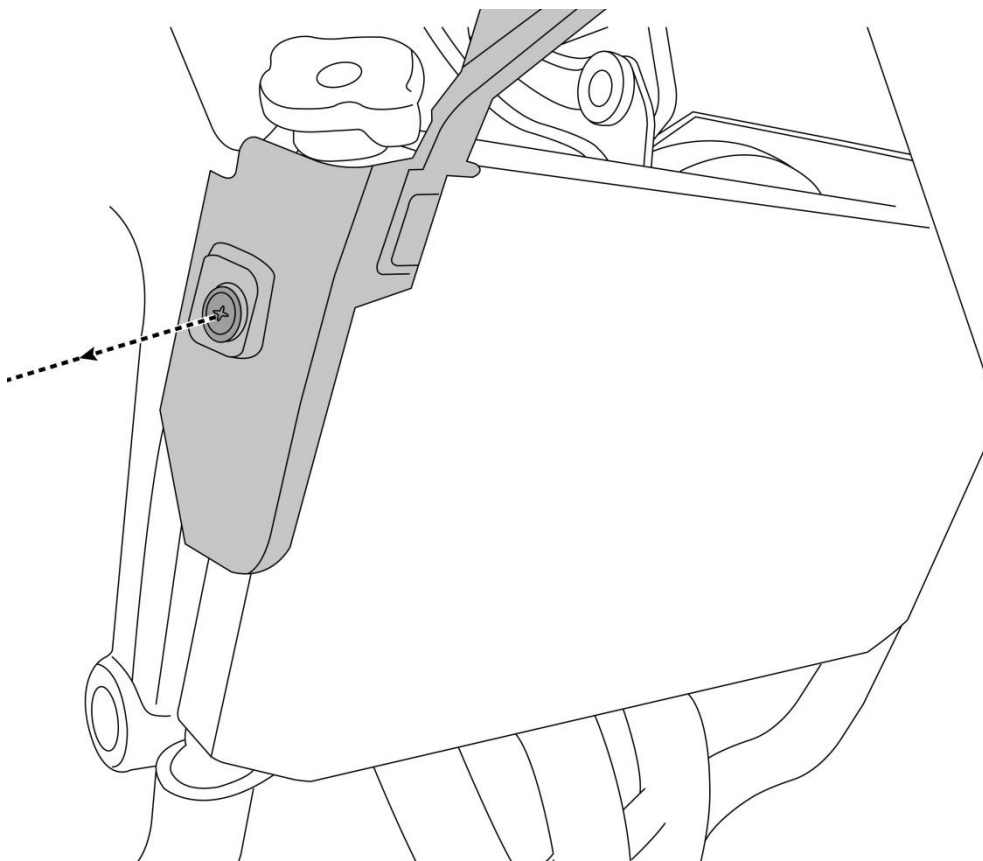


Mounting Instructions

**Step 1:**

The Aesthetic Metal covers on both the Right- and Left-hand side has to be removed, and kept aside.

After mounting the SRC Radiator Guard, the Aesthetic Metal covers can be mounted back in its position, which will be shown in the subsequent steps.

**Step 2:**

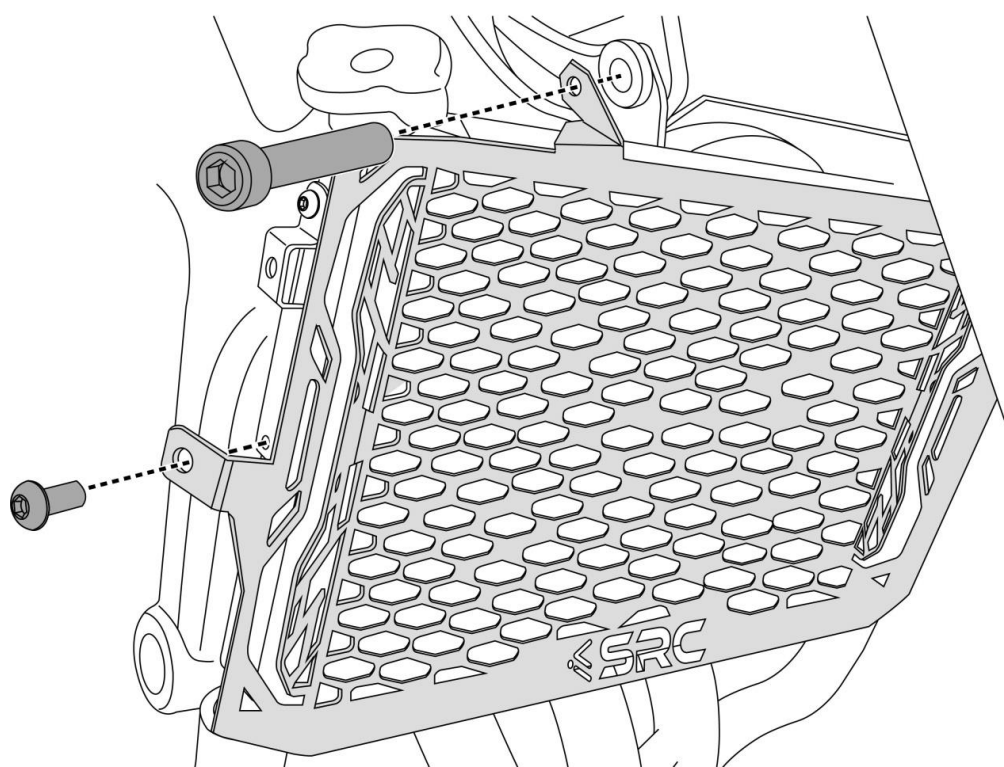
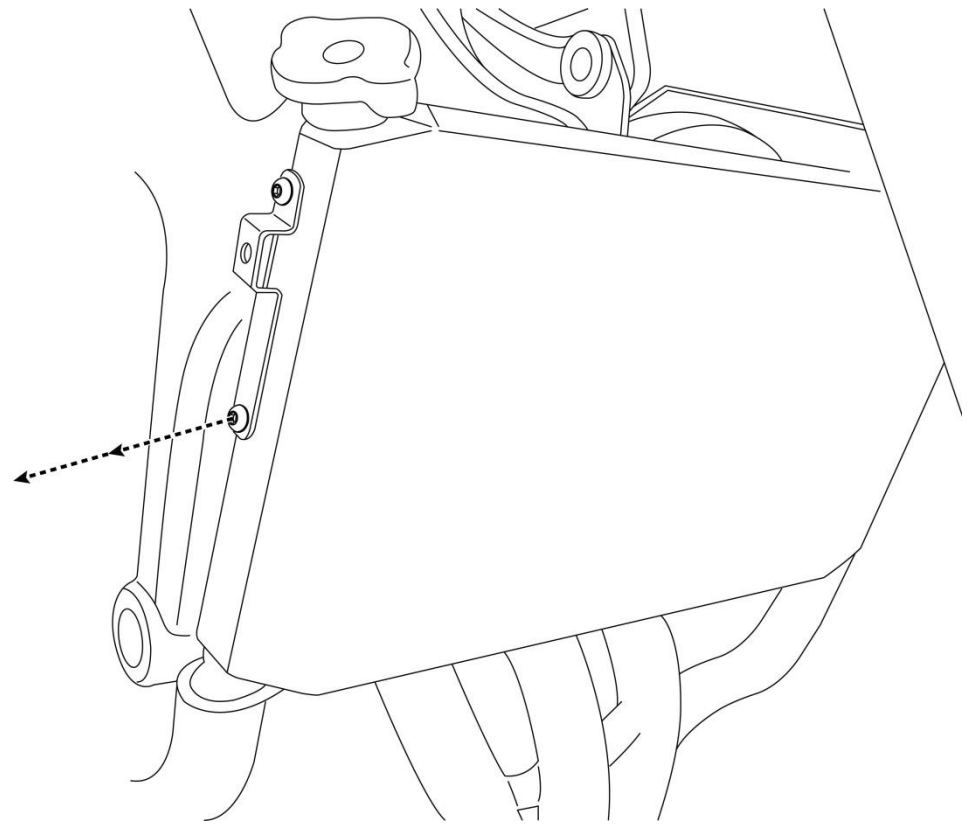
On removal of the Aesthetic metal covers at both sides, it will access to another set of protective metal covers, which hangs out from the top, as shown.

The Torx Screw, shown in the drawing to the left, connecting the Top covers to a metal clip, attached to the Radiator, has to be removed, and kept aside for mounting it later.

Step 3:

The Top cover when it is removed, it exposes the Metal clip screwed on to the side panel of the Radiator Housing, as shown.

The Bottom screw has to be unscrewed and it is to be used for Mounting Radiator Guard. The top screw on the Metal clip must be intact and only the bottom screw has to be removed.



Step 4:

Mounting Radiator Guard from the Right-Hand side.

Orient and Align the Radiator Guard, as shown, with the holes on the side flap and top flap, in-line with the holes, identified for mounting.

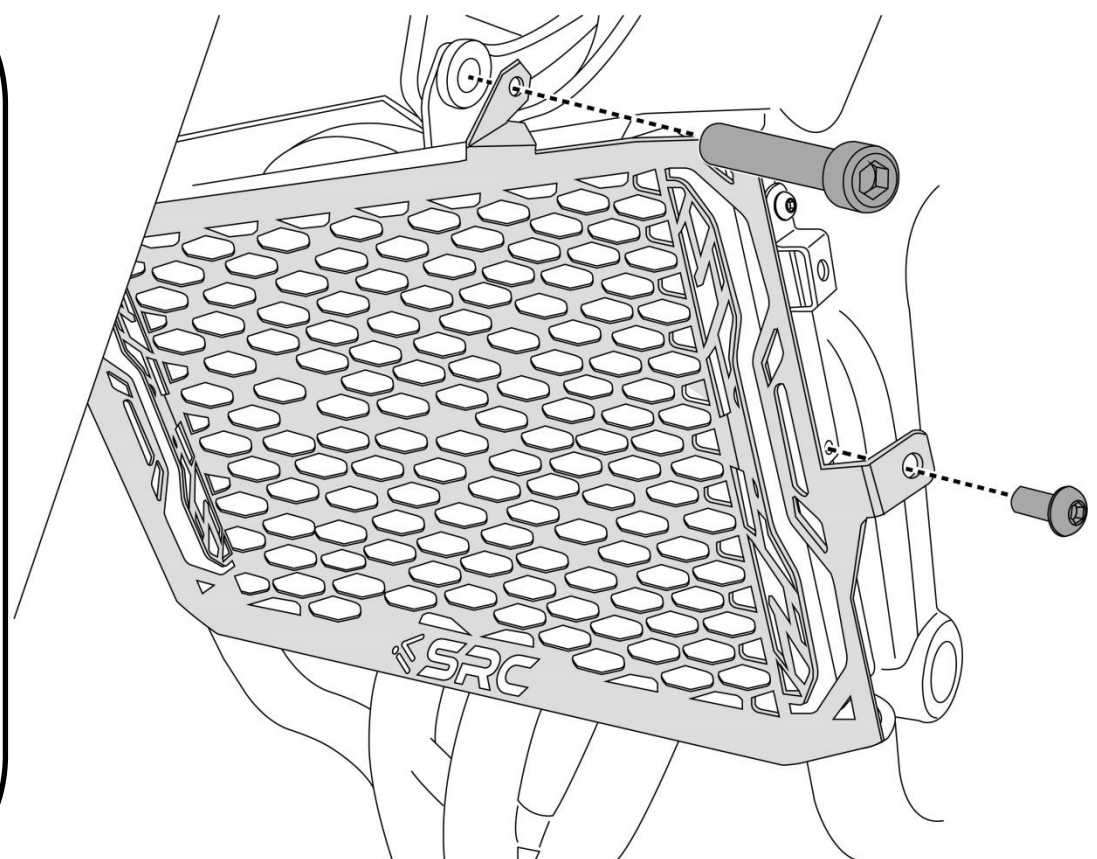
Slip-in the screws through the Side and Top flap holes and secure the threads.

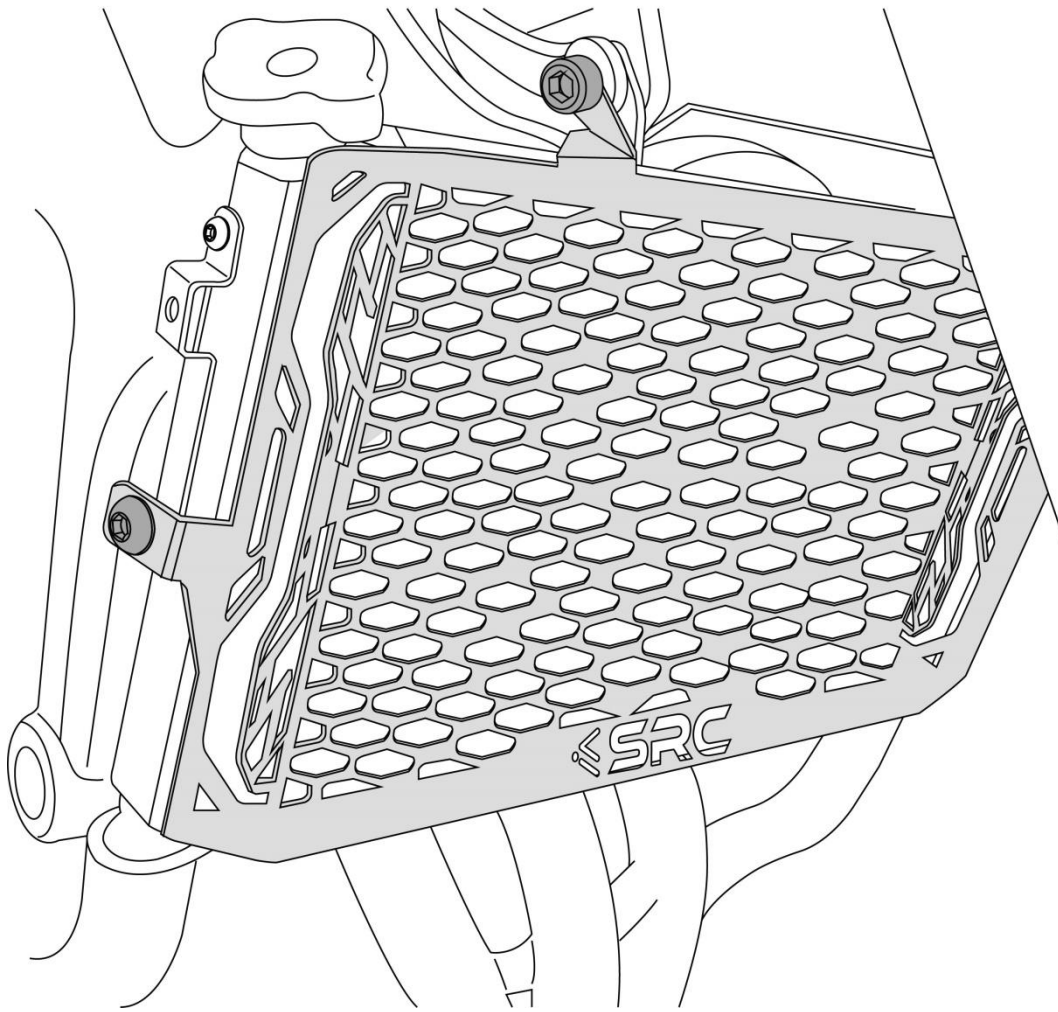
Step 5:

This is the mounting steps to be followed from the Left-Hand side, and it is a repetition of the steps followed in Step 4.

Orient and Align the Radiator Guard, as shown, with the holes on the side flap and top flap, in-line with the holes, identified for mounting.

Slip-in the screws through the Side and Top flap holes and secure the threads.





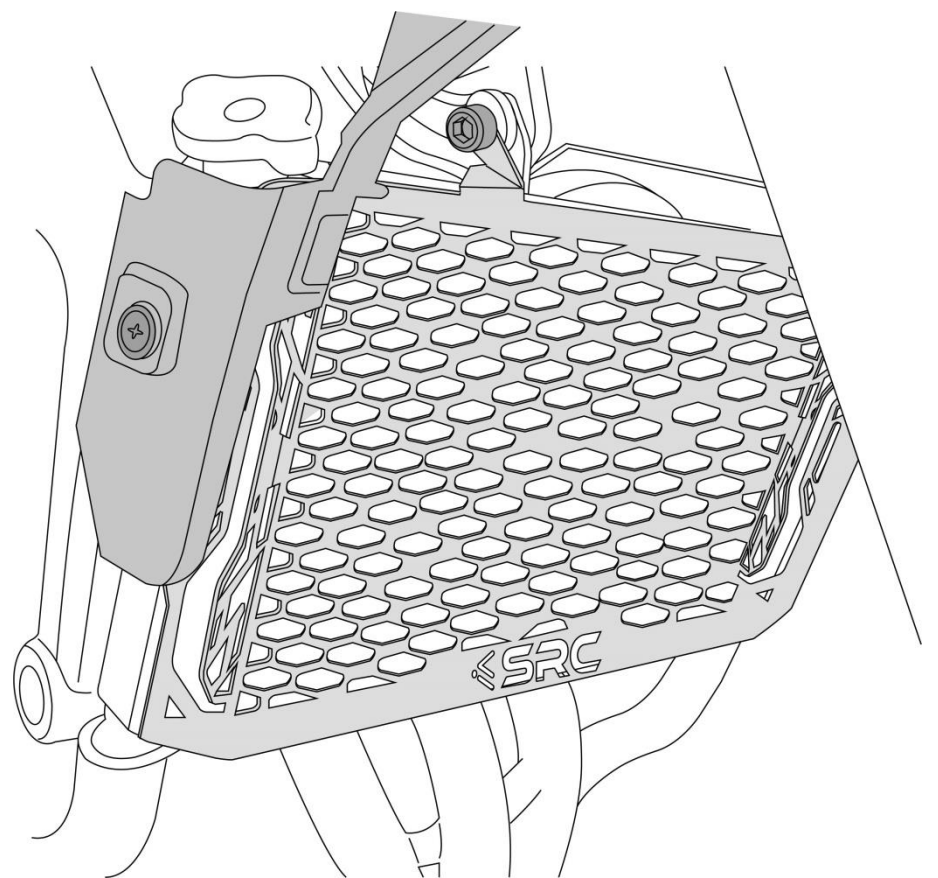
Step 6:

Ensure the mounting orientation and secure and tighten the screws fully into the Top and side mounting holes, as shown.

Step 7:

The Top covers can be mounted back using the Torx screws, as shown.

Once the Right-hand cover is fitted back into the Metal clip on the Radiator housing, the Left hand side cover can also be fitted following the same steps.

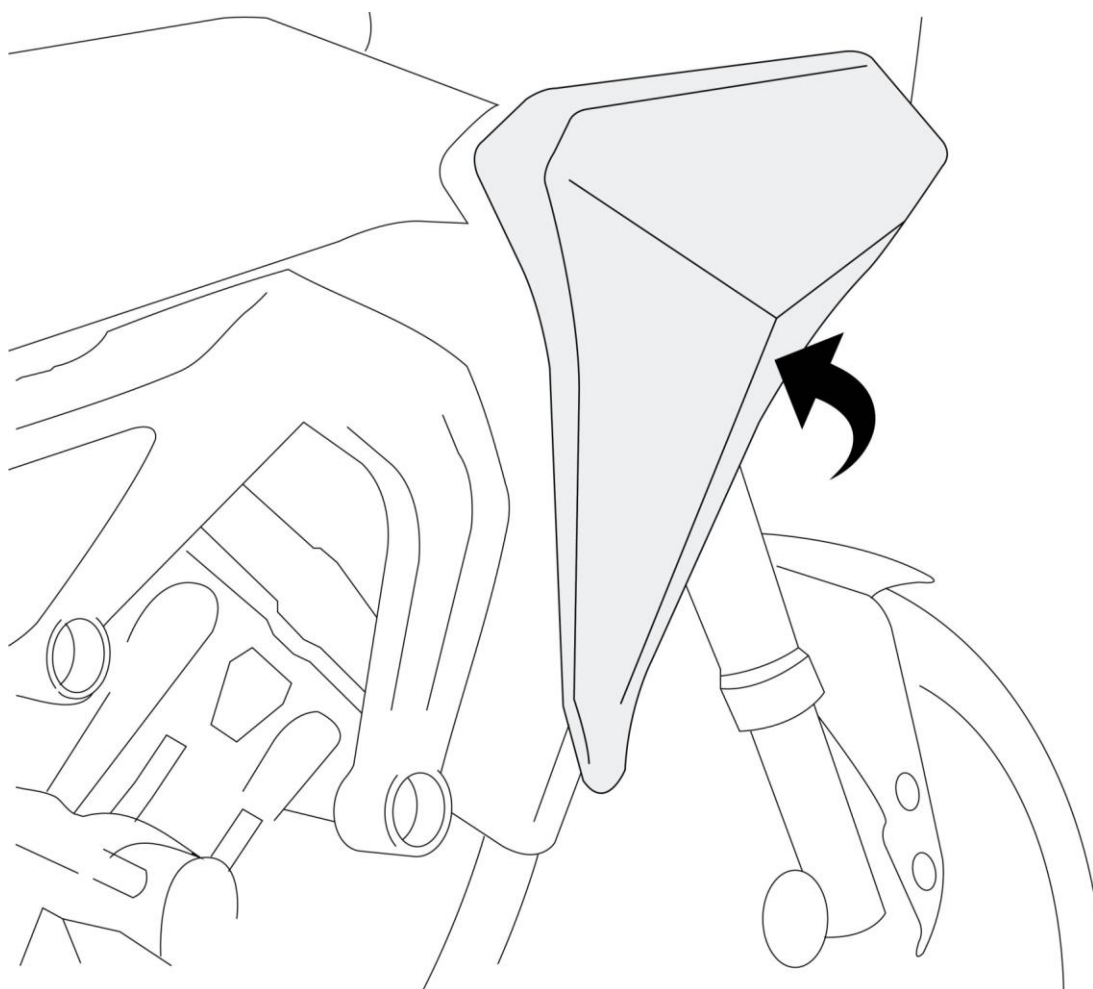


Step 8:

The two aesthetic covers can be fitted back in its position.

Once the cover on the Right hand side is fitted back, follow the same steps to mount and fit the Left hand side cover also.

With this step, the fitment of Radiator Guard is completed.



General Instructions

1. We request you to pay attention to the Mounting Instructions in this document and follow the step-by-step procedures.
2. This Mounting Instruction manual is a “Do It Yourself” (DIY) fitment manual of the Accessory part to the Vehicle. We have prepared this based on our experience and knowledge, related to the Vehicle, Part and its functional aspects.
3. SRC cannot guarantee the interchangeability of the parts to any other manufacturer’s accessory part. It is advised to the User, to inspect and ensure the original state of all other Vehicle parts.
4. We request you to bear in mind, that the Installed part can change the driving behaviour and/or the stability during driving or any other dynamic conditions.
5. If you have the appropriate tools and another person to assist you in the mounting, it will help.
6. After Completion of the Mounting and before taking on a First ride, Ensure and Check all functions of the Vehicle. It is always advised to check loosening of the fasteners after the first 50 kilo meters of ride and at regular intervals.
7. We are showing here the Scope of Supply/ Installation/Parts list & BOM from SRC
8. To the maximum extent possible, our design use the current Mounting/Fitment of the Original Equipment, so that Installation of these accessories will not affect the Payload or Function of the Vehicle or the Part on which it is mounted to protect it
9. If any additional modifications are to be done, prior to the fitment of the accessories, it will be explicitly specified in the instruction sheets.