

## Scope of Supply/Bill of Material & Mounting Drawings

Part Number: S-VS1000-02-01-SL / S-VS1000-02-02

Part Description : radiator Guard – SUZUKI V-1000

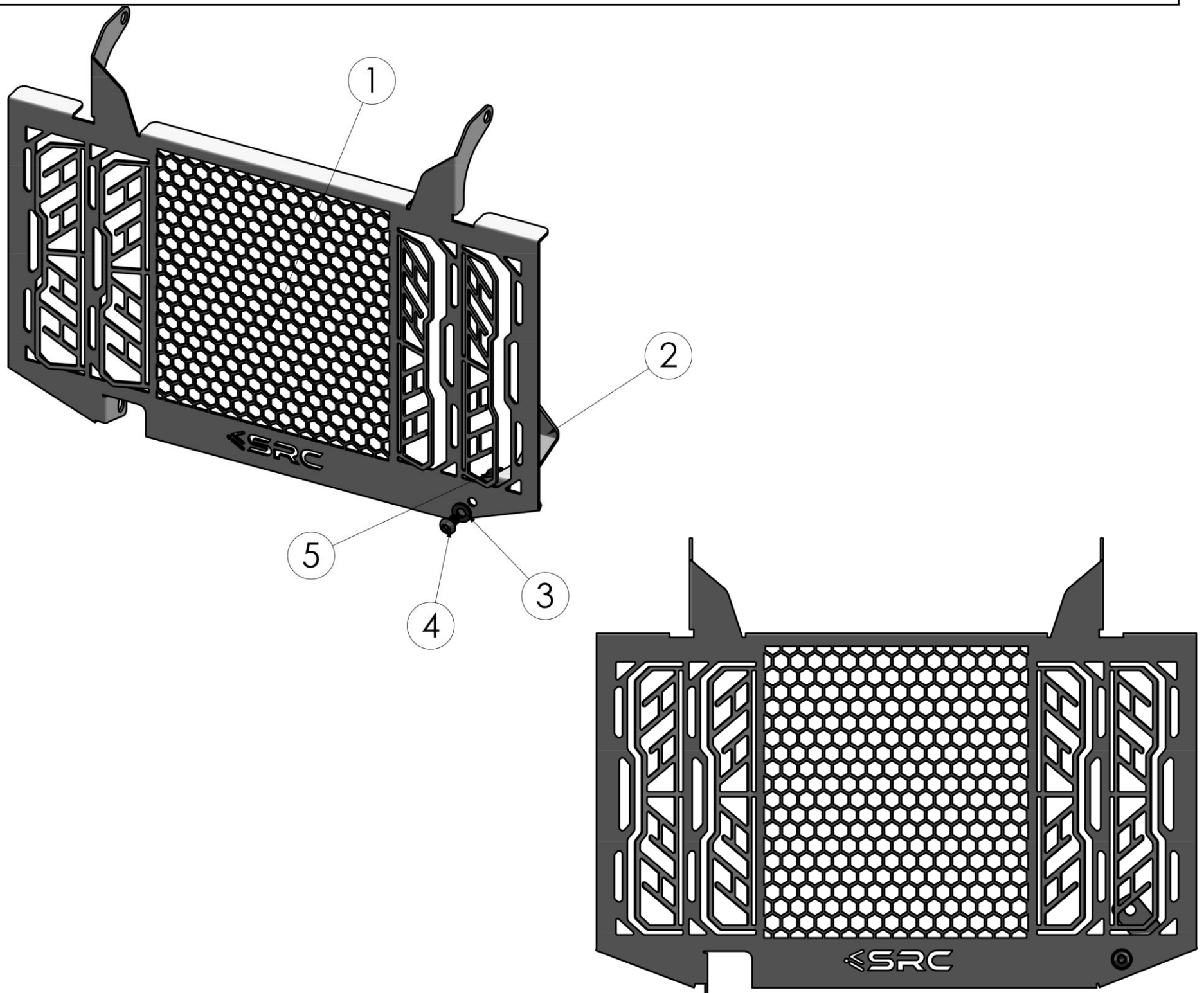
### Installation / Parts List / Bill of Material for Mounting

NO.	Description	Quantity	Torque * (N-M)	Remarks **	Check List
1	Radiator Guard	1			
2	Bracket	1			
3	Washer M6	1			
4	Hex Socket Botton Head M6x10	1	9 - 10	Use Liquid Thread Locker	
5	Nut M6	1			

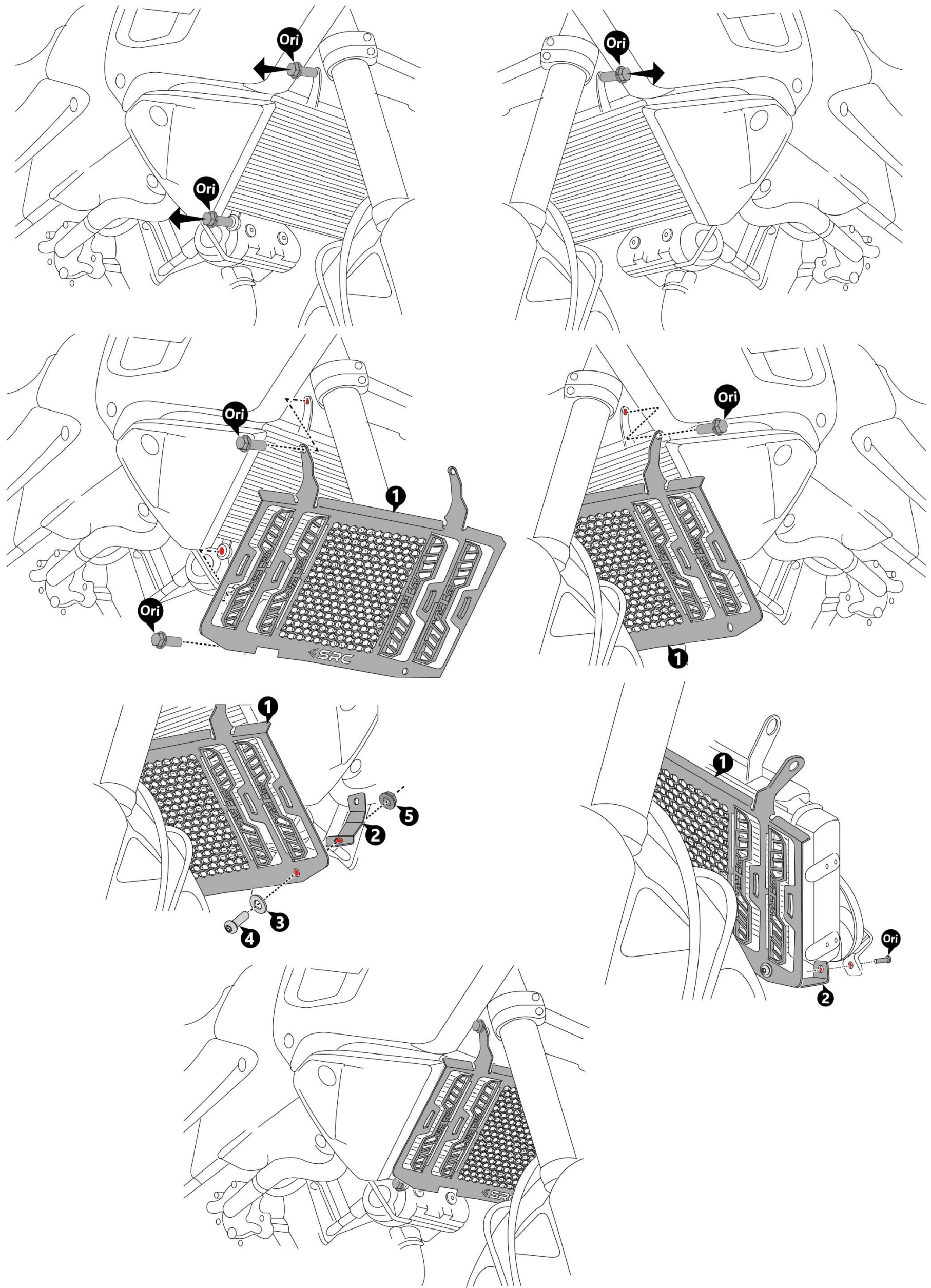
SRC Design uses Metric System of Measurement and all dimensions in Millimeters

\* Recommended to use the Torque specified in the table

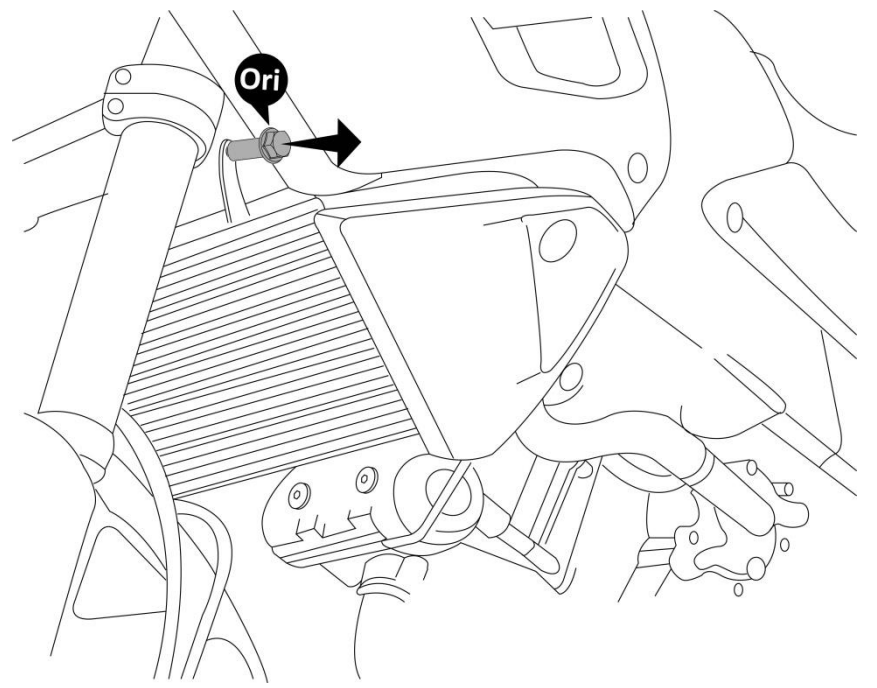
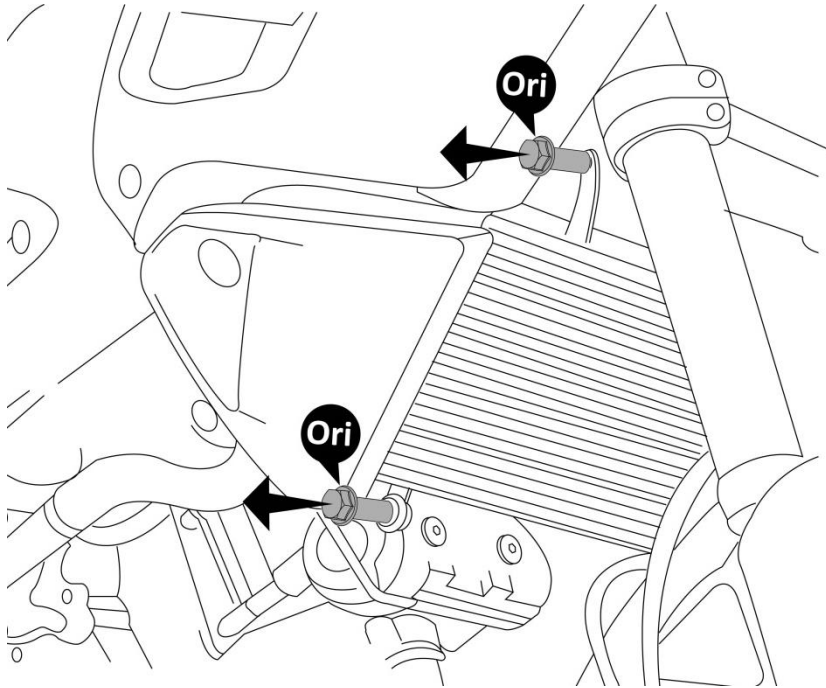
\*\* Denotes Usage of Liquid Thread Locker in specified Locations



## MOUNTING DRAWINGS

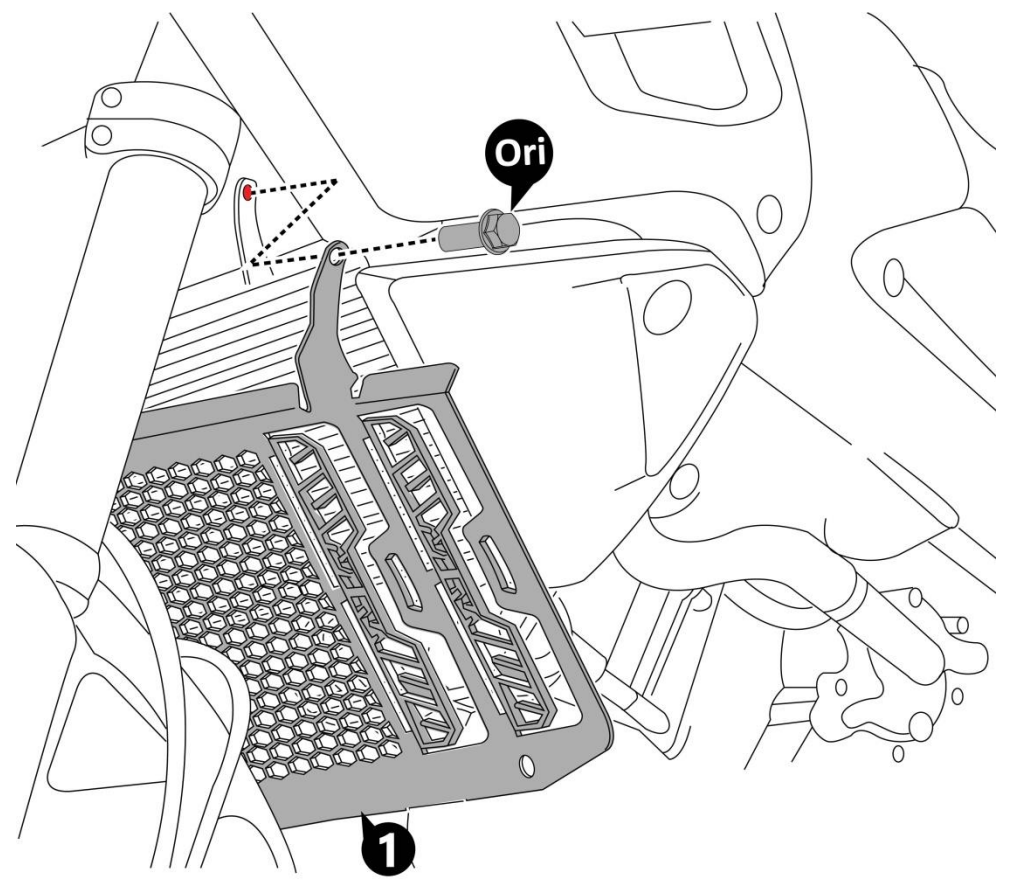
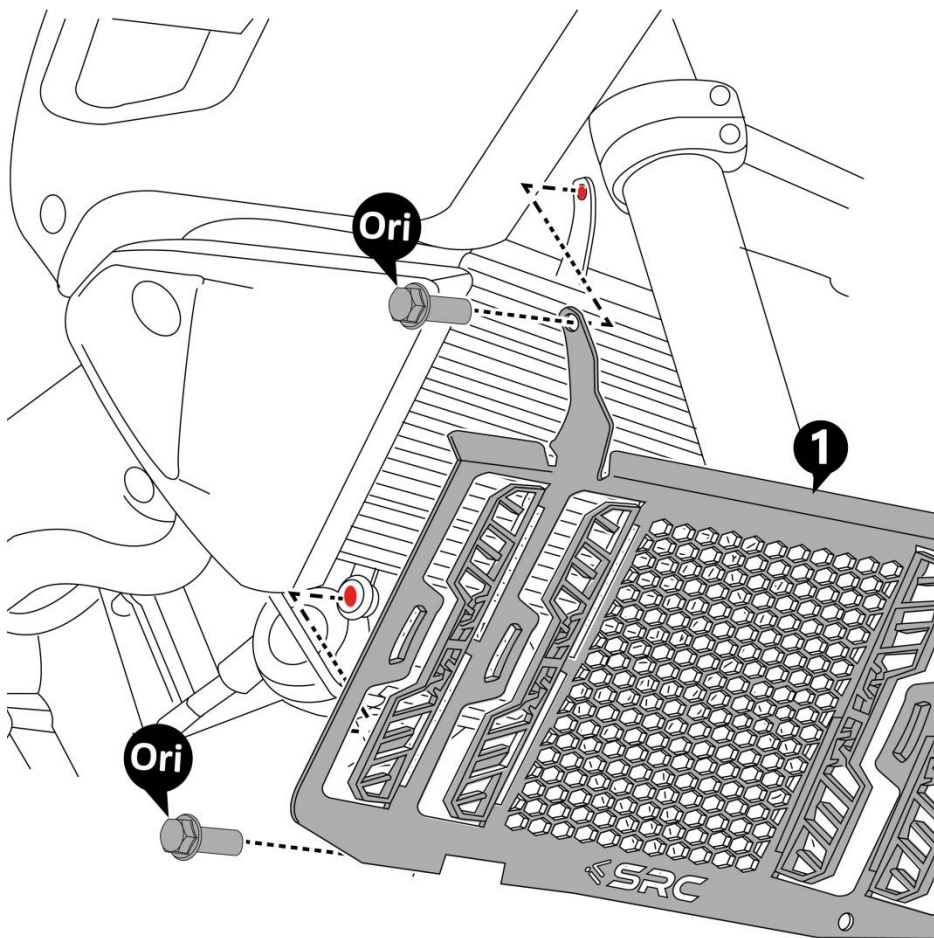


## Mounting Instructions



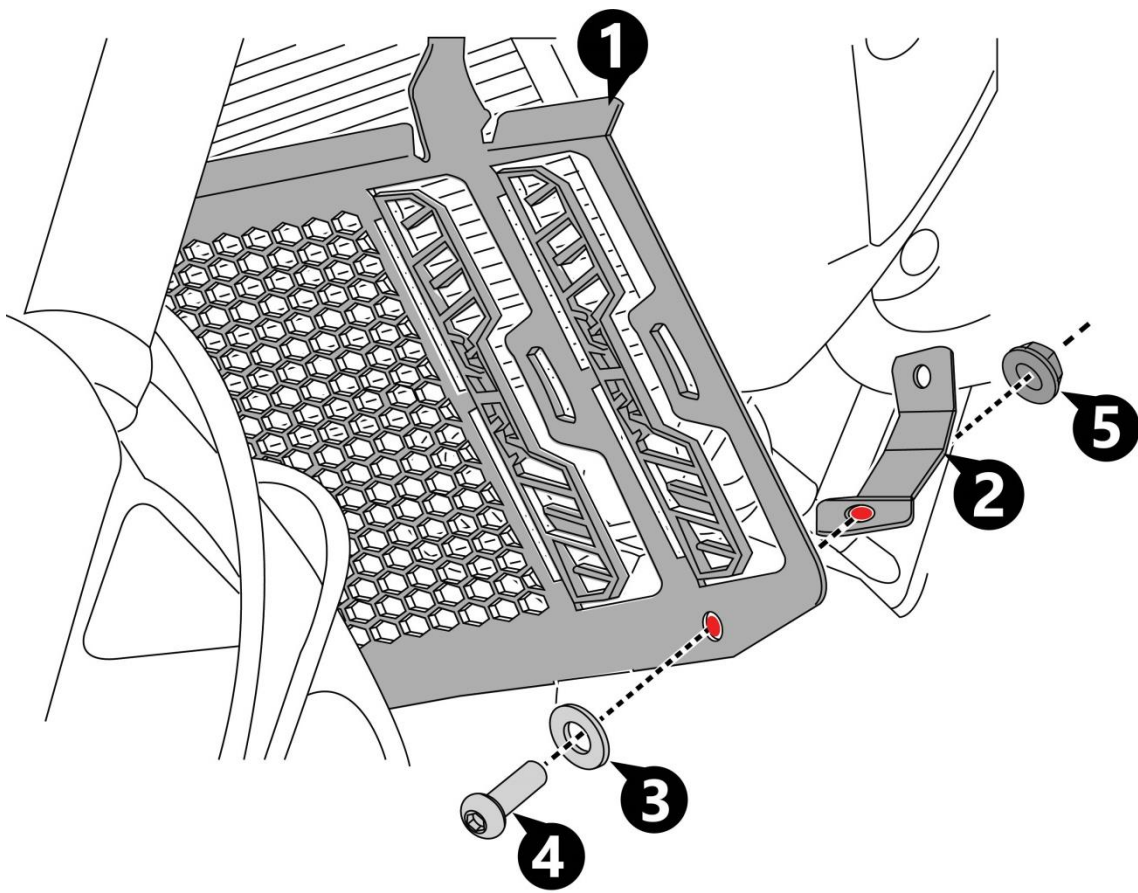
### Step 1:

Remove the Original Screw in motorbike, as shown.



### Step 2:

Orient and Align the Radiator Guard (1), and slip-in Original Screw -3 off, (as show), through the mounting red holes, secure the threads and tighten them.



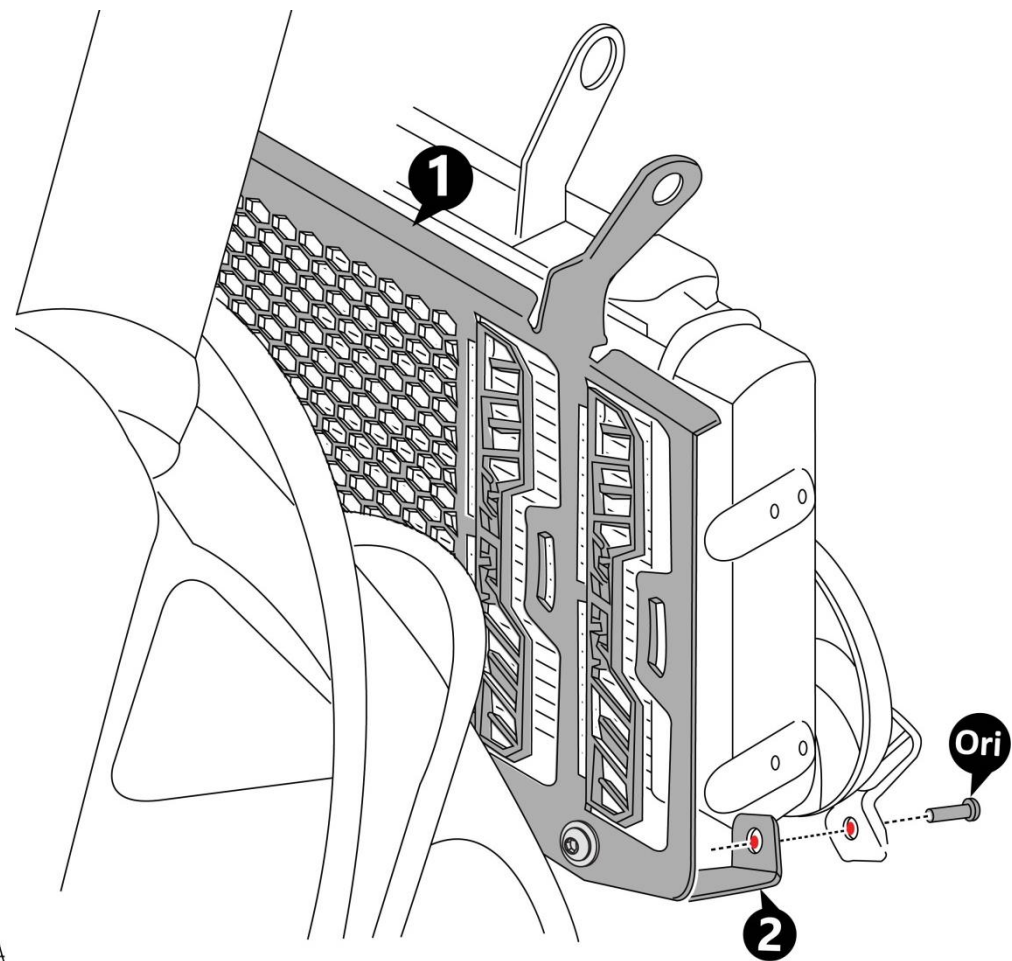
**Step 3:**

The down side the Radiator Guard has the hole flaps which has to be Oriented and aligned with the OE Mounting hole (as shown).

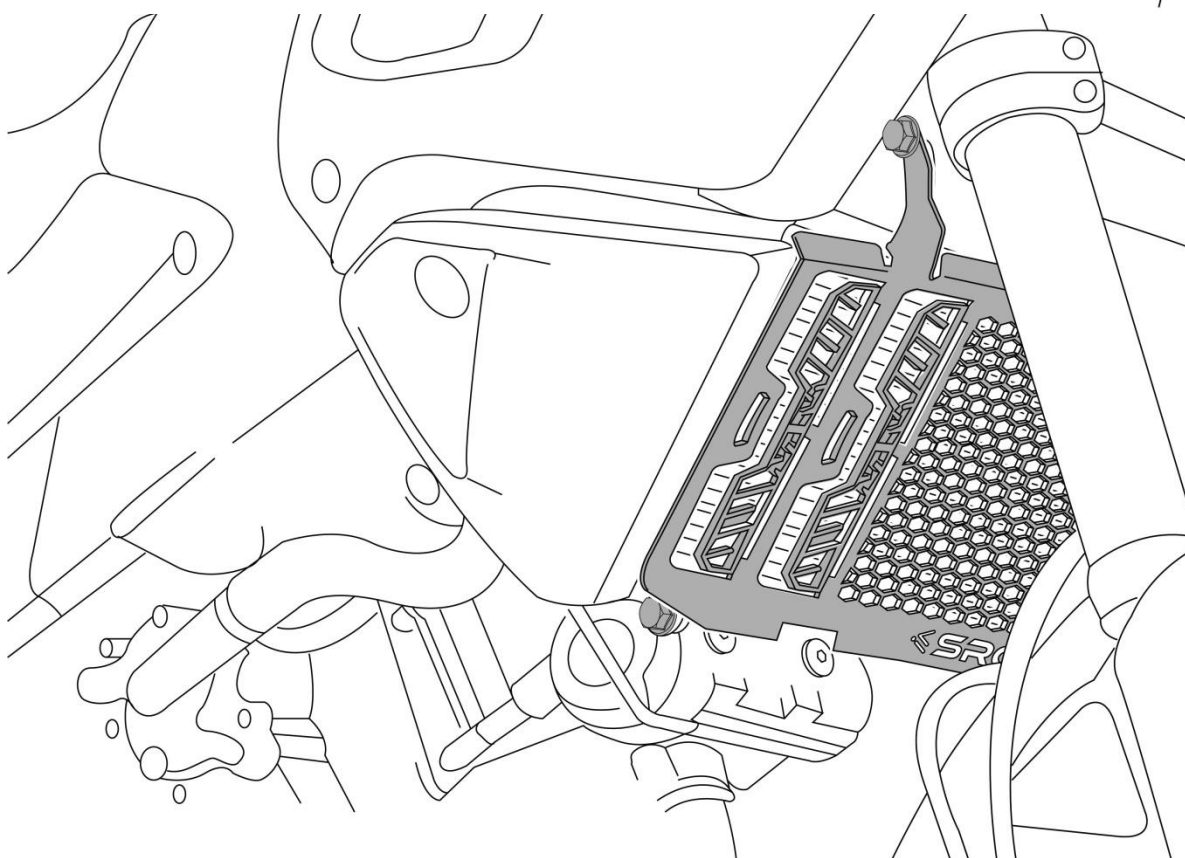
Orient and Align the Bracket (2) Slip-in the Screw M6x10 (4) - 1 off , Washer M6 (3) – 1 off, and M5 Nut (5) – 1 off, as shown and secure the threads and tighten them.

**Step 4:**

Slip-in the Original Screw - 1 off, as shown and secure the threads and tighten them.



The final fitted condition of the Radiator Guard, is as shown in the drawing.



## General Instructions

1. We request you to pay attention to the Mounting Instructions in this document and follow the step-by-step procedures.
2. This Mounting Instruction manual is a “Do It Yourself” (DIY) fitment manual of the Accessory part to the Vehicle. We have prepared this based on our experience and knowledge, related to the Vehicle, Part and its functional aspects.
3. SRC cannot guarantee the interchangeability of the parts to any other manufacturer’s accessory part. It is advised to the User, to inspect and ensure the original state of all other Vehicle parts.
4. We request you to bear in mind, that the Installed part can change the driving behaviour and/or the stability during driving or any other dynamic conditions.
5. If you have the appropriate tools and another person to assist you in the mounting, it will help.
6. After Completion of the Mounting and before taking on a First ride, Ensure and Check all functions of the Vehicle. It is always advised to check loosening of the fasteners after the first 50 kilo meters of ride and at regular intervals.
7. We are showing here the Scope of Supply/ Installation/Parts list & BOM from SRC
9. To the maximum extent possible, our design use the current Mounting/Fitment of the Original Equipment, so that Installation of these accessories will not affect the Payload or Function of the Vehicle or the Part on which it is mounted to protect it
10. If any additional modifications are to be done, prior to the fitment of the accessories, it will be explicitly specified in the instruction sheets.