

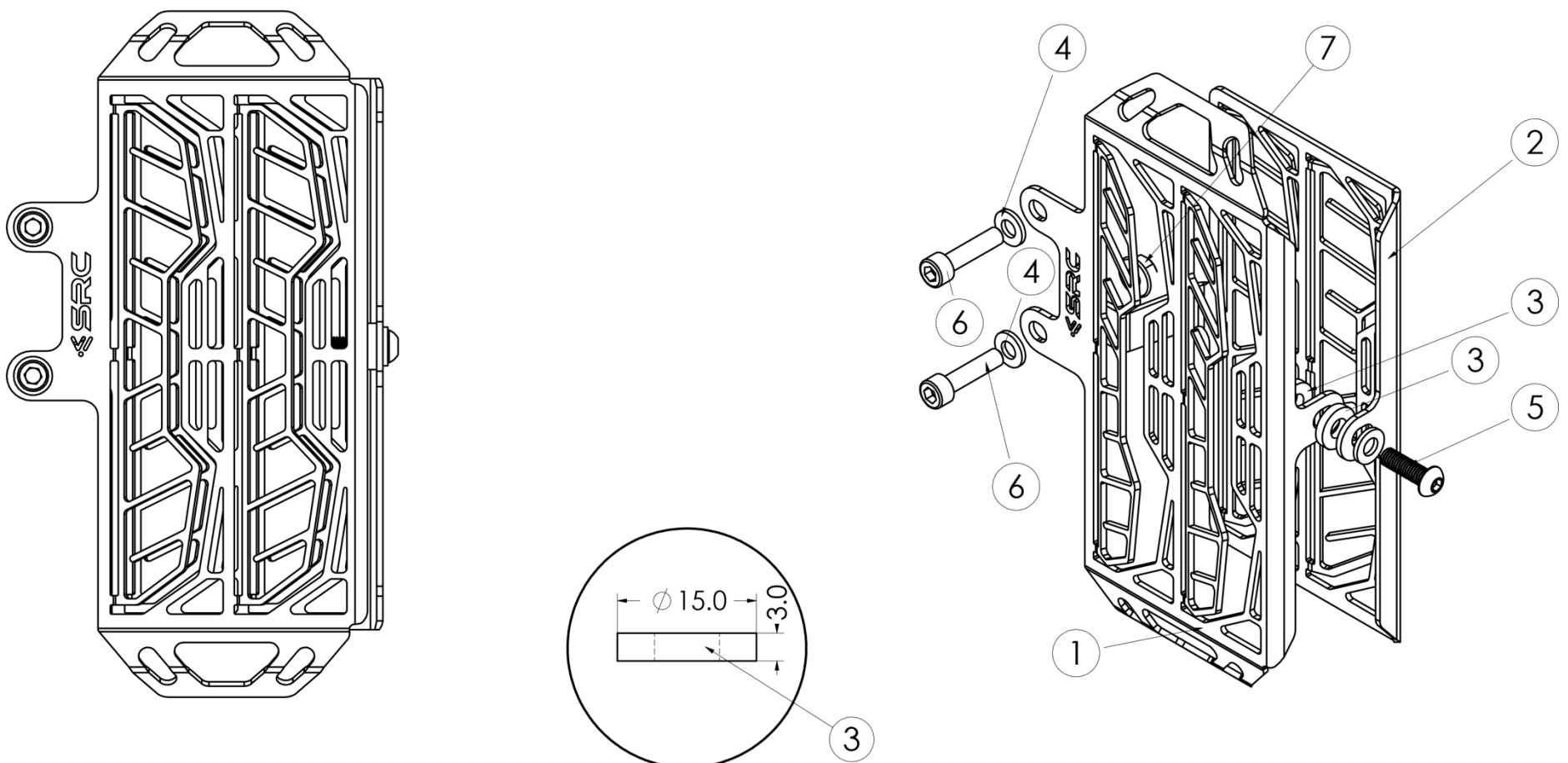
Scope of Supply/Bill of Material & Mounting Drawings

Part Number: R-HM18-02-01SL / R-HM18-02-02

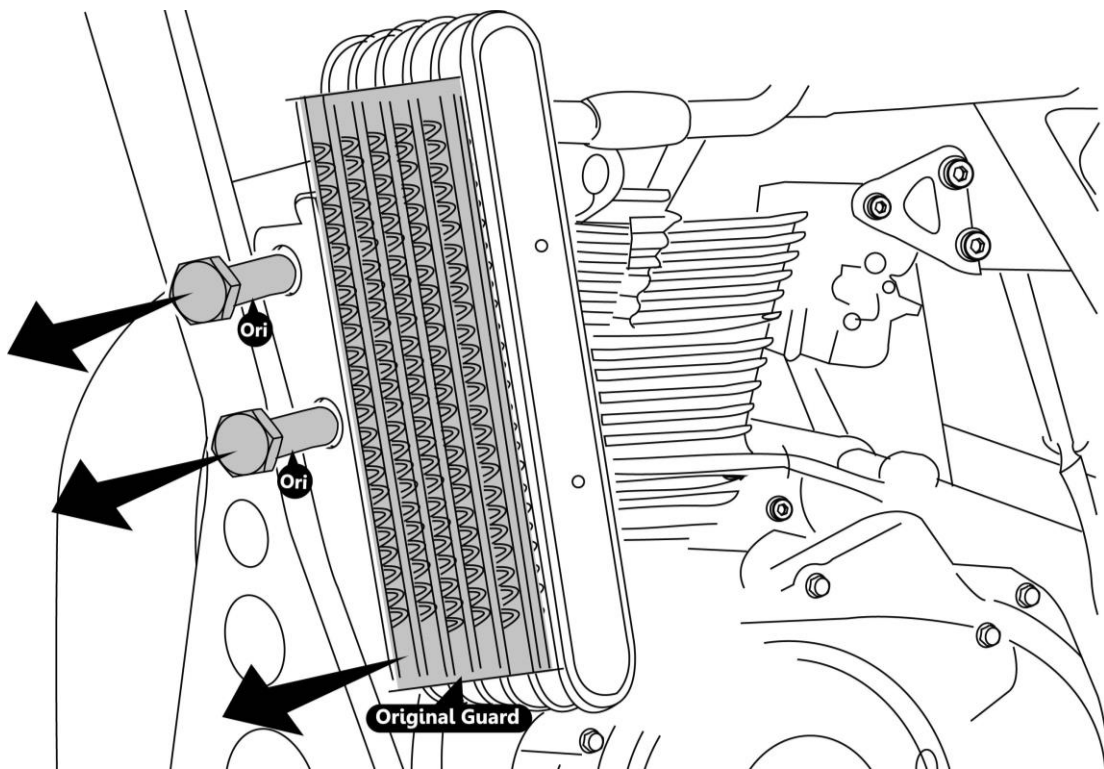
Part Description: Oil Cooler Cover - Royal Enfield Himalayan

Installation / Parts List / Bill of Material for Mounting

| NO. | Description | Quantity | Torque * (N-M) | Remarks ** |
|--------------------------------------------------------------------------------|--------------------------------------|----------|----------------|--------------------------|
| 1 | OCG-Oil Cooler Guard Front Side (FS) | 1 | | |
| 2 | OCG-Oil Cooler Guard Rear Side (RS) | 1 | | |
| 3 | Bush spacer Delrin | 2 | | |
| 4 | Washer M6 | 3 | | |
| 5 | Screw M6 X 20 | 1 | 9 - 10 | Use Liquid Thread Locker |
| 6 | Screw M6 x 25 | 2 | 9 - 10 | Use Liquid Thread Locker |
| 7 | Nut M6 | 1 | | |
| SRC Design uses Metric System of Measurement and all dimensions in Millimeters | | | | |
| * Recommended to use the Torque specified in the table | | | | |
| ** Denotes Usage of Liquid Thread Locker in specified Locations | | | | |



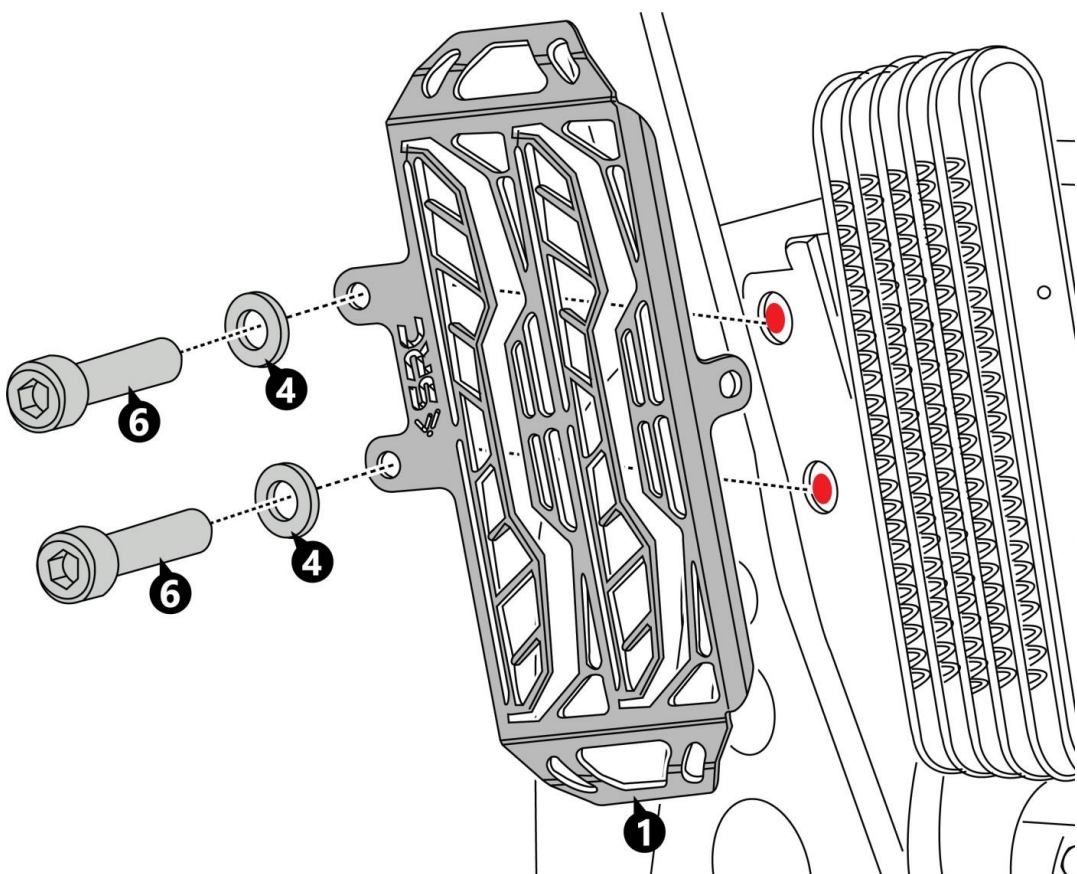
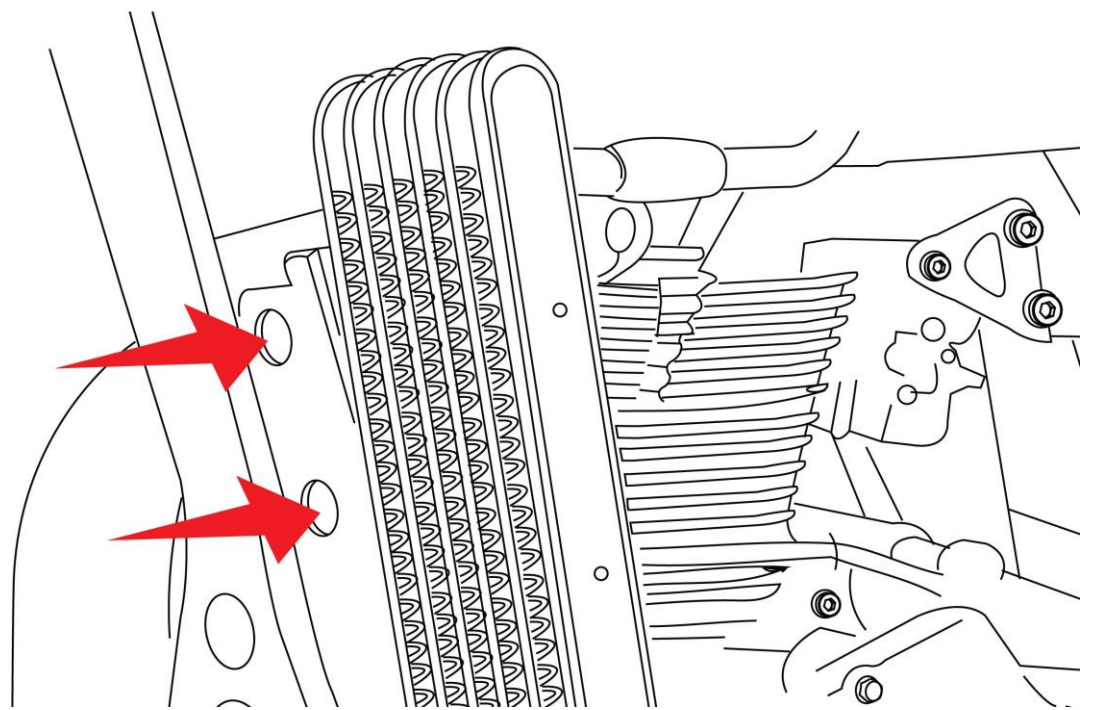
Mounting Instructions



Step 1:

Remove the original Radiator Guard and the original Screw in motorbike.

For Mounting the Oil Cooler Guard, we use the Mounting Holes (as identified in "Red colour" in the two drawings).



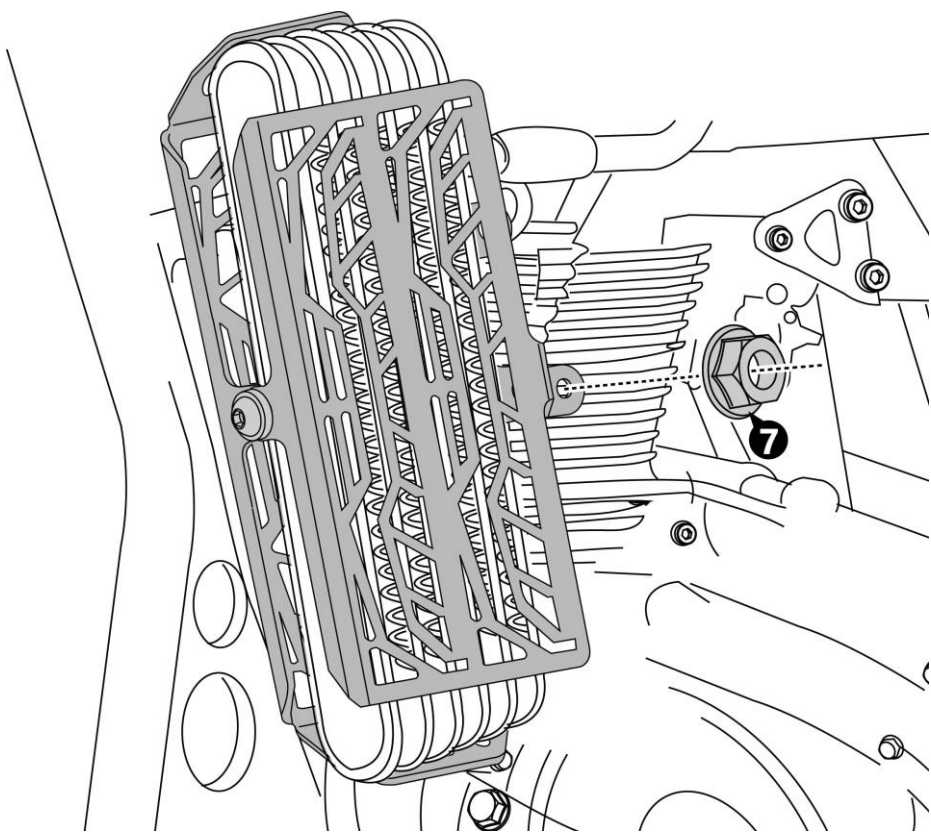
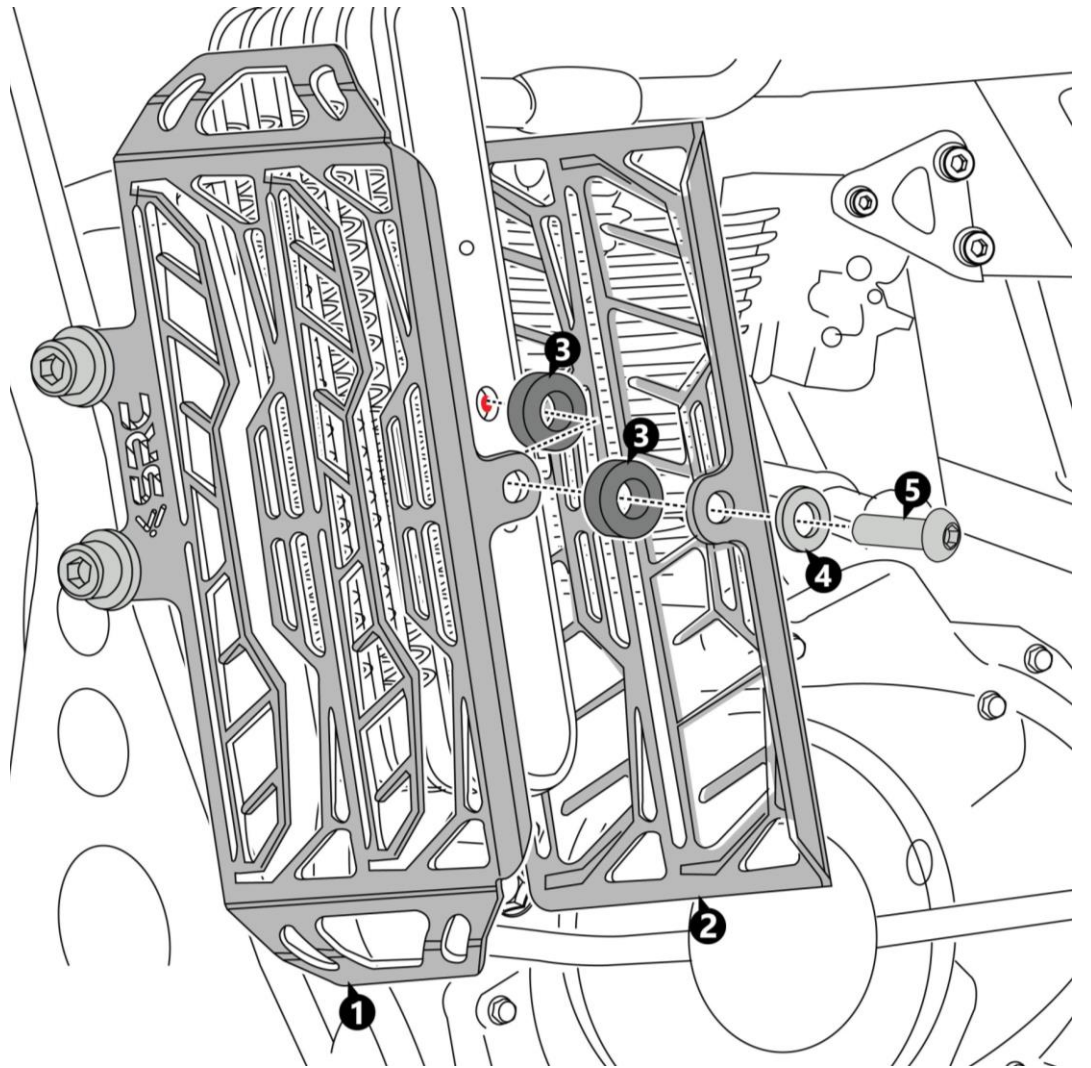
Step 2:

Mounting of Oil Cooler Guard Front Side (1) Orient the Mounting Holes of Oil Cooler Guard FS (Front Side) (1), in-line with the Mounting holes in the Motorbike, and slide in the Washer M6 (4) - 2 off and Screw M6 x 25 (6) – 2 off and secure the threads, but do not tighten it fully.

Step 3:

Orient the Oil Cooler Guard Rear Side (RS) (2).

Slide in the Bush spacer Delrin (3) – 2 off, sandwiching between the adjacent surfaces and Slide in the M6 washer (4)-1 off, and Screw M6x20 (5)-1 off, The Oil Cooler FS has the threaded hole to secure the threads of the M6 screw.

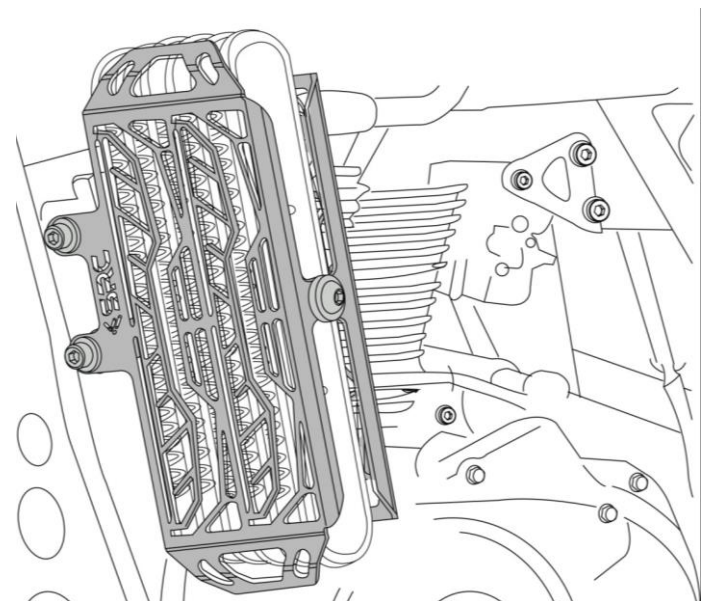


Step 3:

Orient the Nut M6 (7) -1 off

Slide in the Nut M6 (7) – 1 off, to the Oil Cooler Guard Rear Side (RS) (2). has the threaded hole to secure the threads of the M6 screw.

The final mounted condition of the Oil Cooler Guard is as shown in the adjacent drawing .



General Instructions

1. We request you to pay attention to the Mounting Instructions in this document and follow the step-by-step procedures.
2. This Mounting Instruction manual is a “Do It Yourself” (DIY) fitment manual of the Accessory part to the Vehicle. We have prepared this based on our experience and knowledge, related to the Vehicle, Part and its functional aspects.
3. SRC cannot guarantee the interchangeability of the parts to any other manufacturer’s accessory part. It is advised to the User, to inspect and ensure the original state of all other Vehicle parts.
4. We request you to bear in mind, that the Installed part can change the driving behaviour and/or the stability during driving or any other dynamic conditions.
5. If you have the appropriate tools and another person to assist you in the mounting, it will help.
6. After Completion of the Mounting and before taking on a First ride, Ensure and Check all functions of the Vehicle. It is always advised to check loosening of the fasteners after the first 50 kilo meters of ride and at regular intervals.
7. We are showing here the Scope of Supply/ Installation/Parts list & BOM from SRC
8. To the maximum extent possible, our design use the current Mounting/Fitment of the Original Equipment, so that Installation of these accessories will not affect the Payload or Function of the Vehicle or the Part on which it is mounted to protect it
9. If any additional modifications are to be done, prior to the fitment of the accessories, it will be explicitly specified in the instruction sheets.